

Barudan

COMPUTERIZED MONOGRAM MACHINE

MODEL **BEATME** ⁹⁰²₉₀₄⁹⁰⁶₉₀₈ - **YN**
YS
(YS I)

PARTS LIST

BARUDAN CO., LTD.

ADDRESS 906 JOSUJI
ICHINOMIYA-CITY · AICHI-PREF ·
JAPAN

TEL. <0586>76-1137

FAX. <0586>77-1499

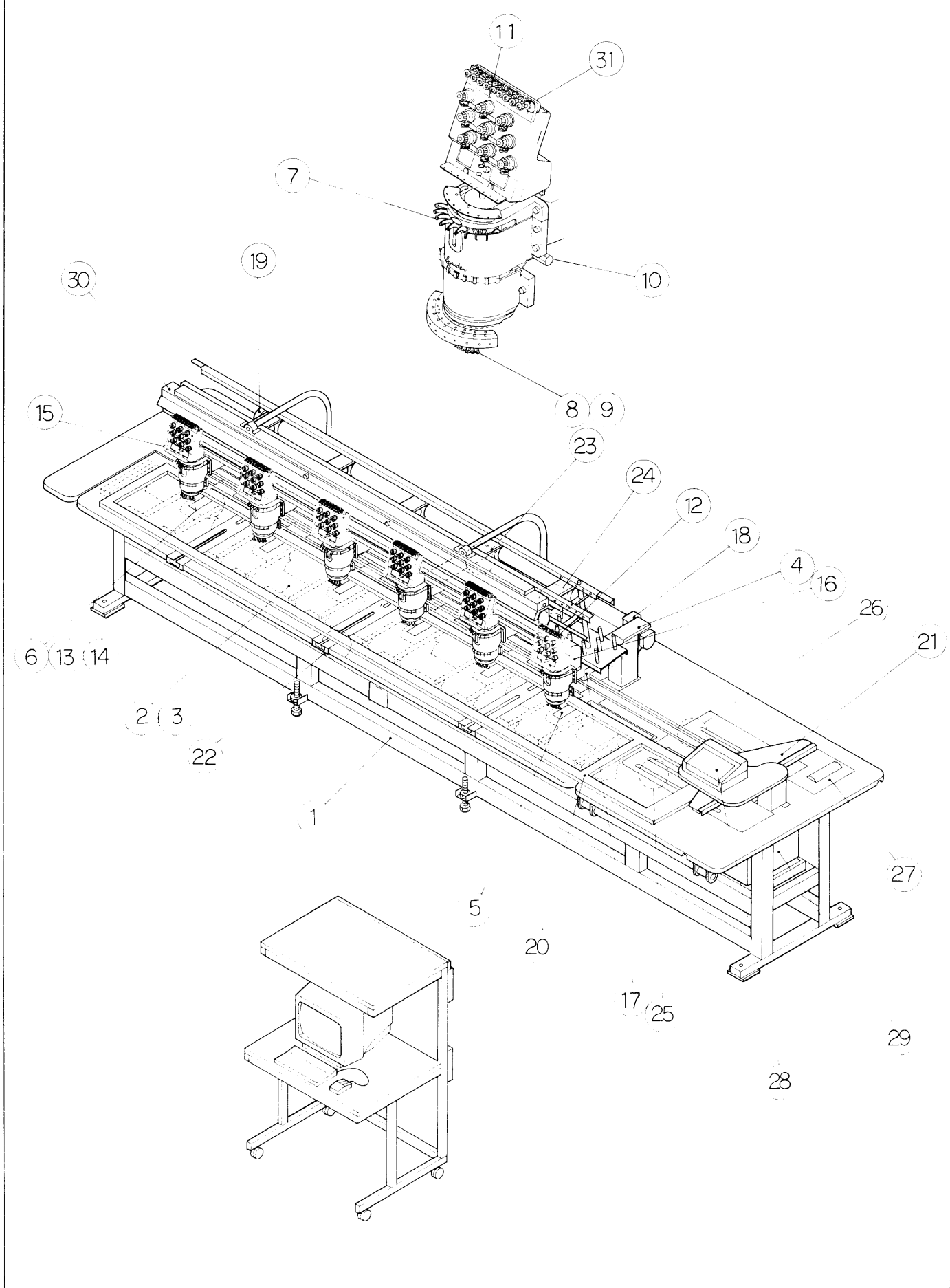
TELEX 4573268 BARUNA J

CABLE BARUNA ICHINOMIYA

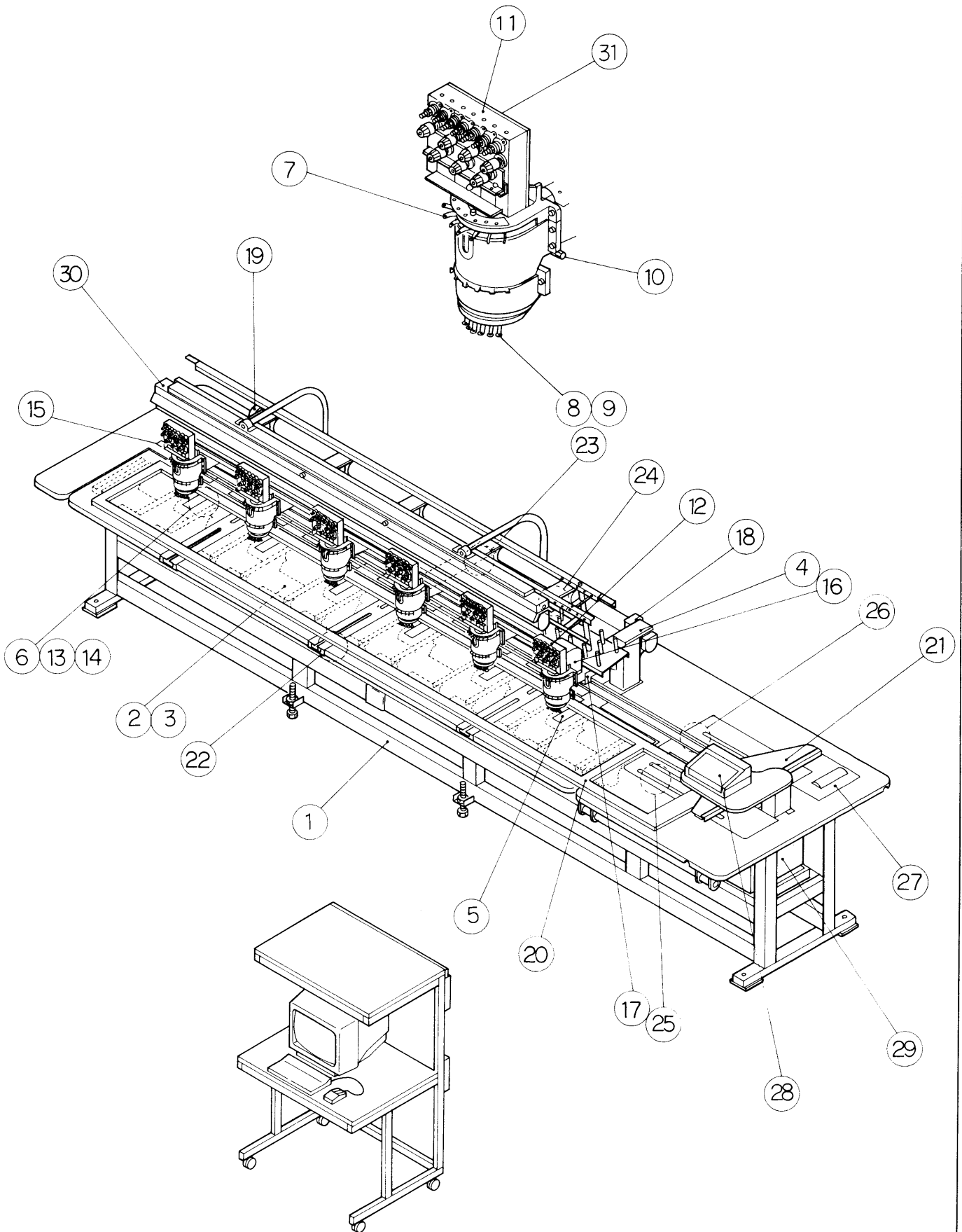
MACHINE PARTS LIST

C O N T E N T S

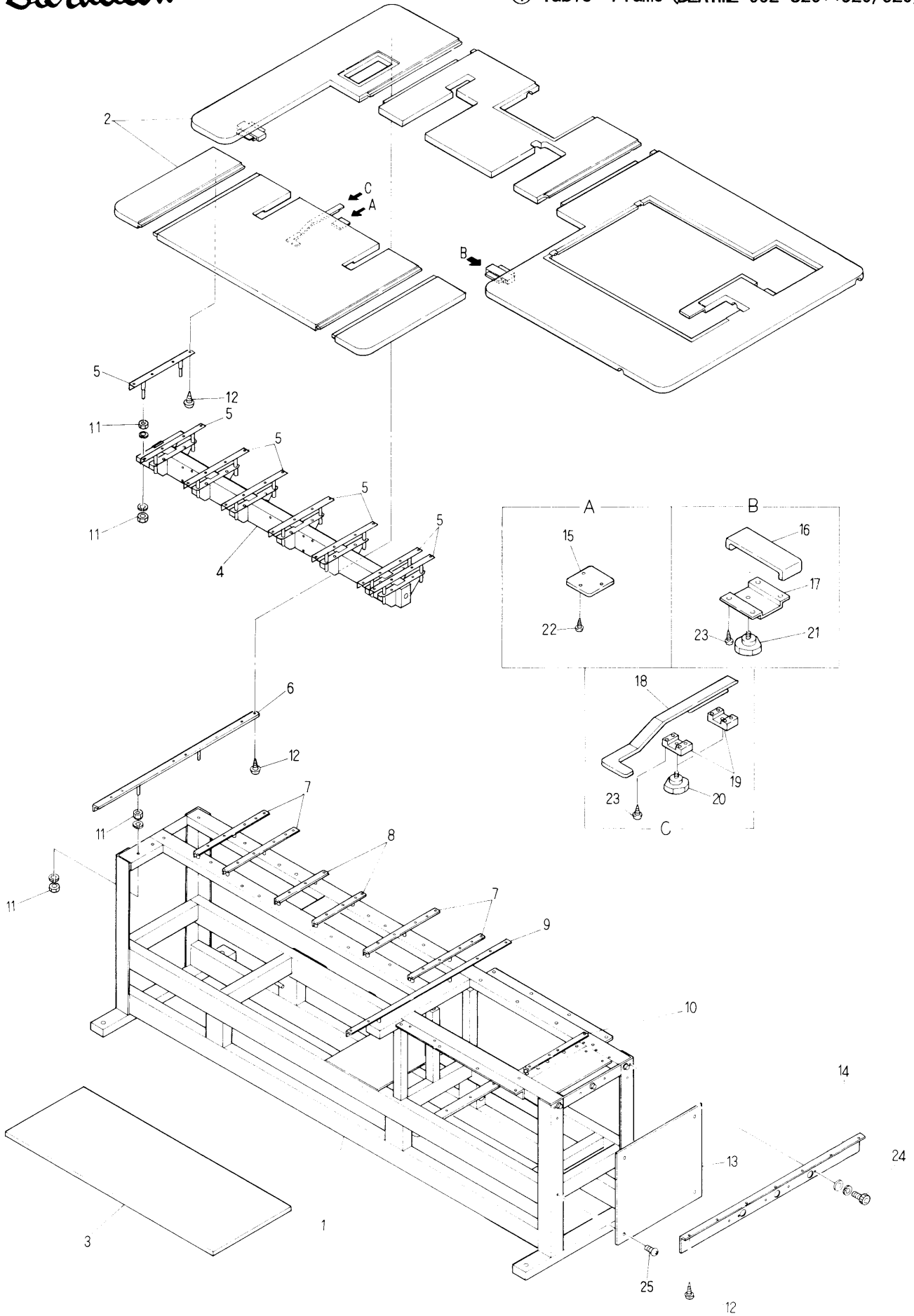
ITEM No.	Page No.
Machine layout	1
① Table・Frame	3
② Table lifter mechanism I	1 1
③ Table lifter mechanism II	1 9
④ Sewing head a'ssy	2 1
⑤ Bed a'ssy	2 3
⑥ Automatic thread cutting mechanism I (Thread cutting section)	2 5
⑦ Take up lever mechanism	2 7
⑧ Needle bar mechanism I	3 1
⑨ Needle bar mechanism II	3 5
⑩ Jump mechanism.....	3 9
⑪ Thread guide mechanism	4 3
⑫ Thread guide mechanism(Head with color chage mechanism)	4 7
⑬ Automatic thread cutting mechanime II (Thread away section)	5 1
⑭ Automatic thread cutting mechanime III (Thread support section)	5 3
⑮ Automatic thread cutting mechanime IV (Drive mechanism)	5 7
⑯ Color change mechanism I	5 9
⑰ Color change mechanism II	6 3
⑱ Connecting shaft mechanism	6 7
⑲ Driving mechanism	6 9
⑳ Pantograph drive mechanism I (Pantographtion・Cover)	7 1
㉑ Pantograph drive mechanism II (T-Pantograph relation)	7 3
㉒ Pantograph drive mechanism III (H-Direction・Front)	8 1
㉓ Pantograph drive mechanism IV (H-Direction・Rear)	8 3
㉔ Pantograph drive mechanism V (H-Direction・Drive)	8 5
㉕ Pantograph drive mechanism VI (V-Direction・Front)	8 7
㉖ Pantograph drive mechanism VII (V-Direction・Rear)	8 9
㉗ Pantograph drive mechanism VIII (V-Direction・Drive)	9 1
28 Control system I	9 3
29 Control system II	9 5
30 Option	9 7
31 Thread guide mechanism (Lower thread sensorium)	9 9
INDEX	1 0 3



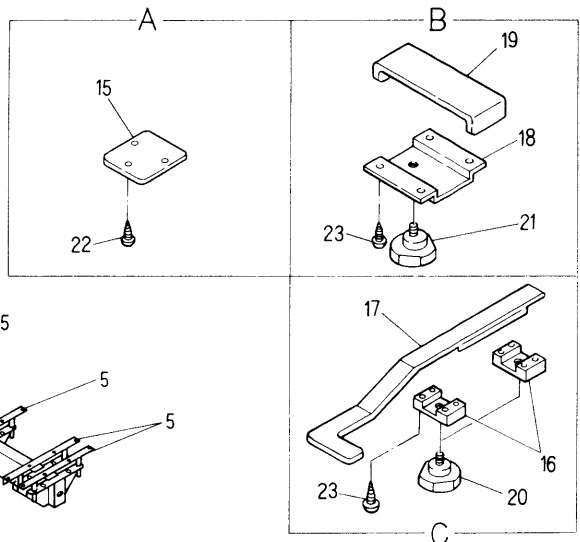
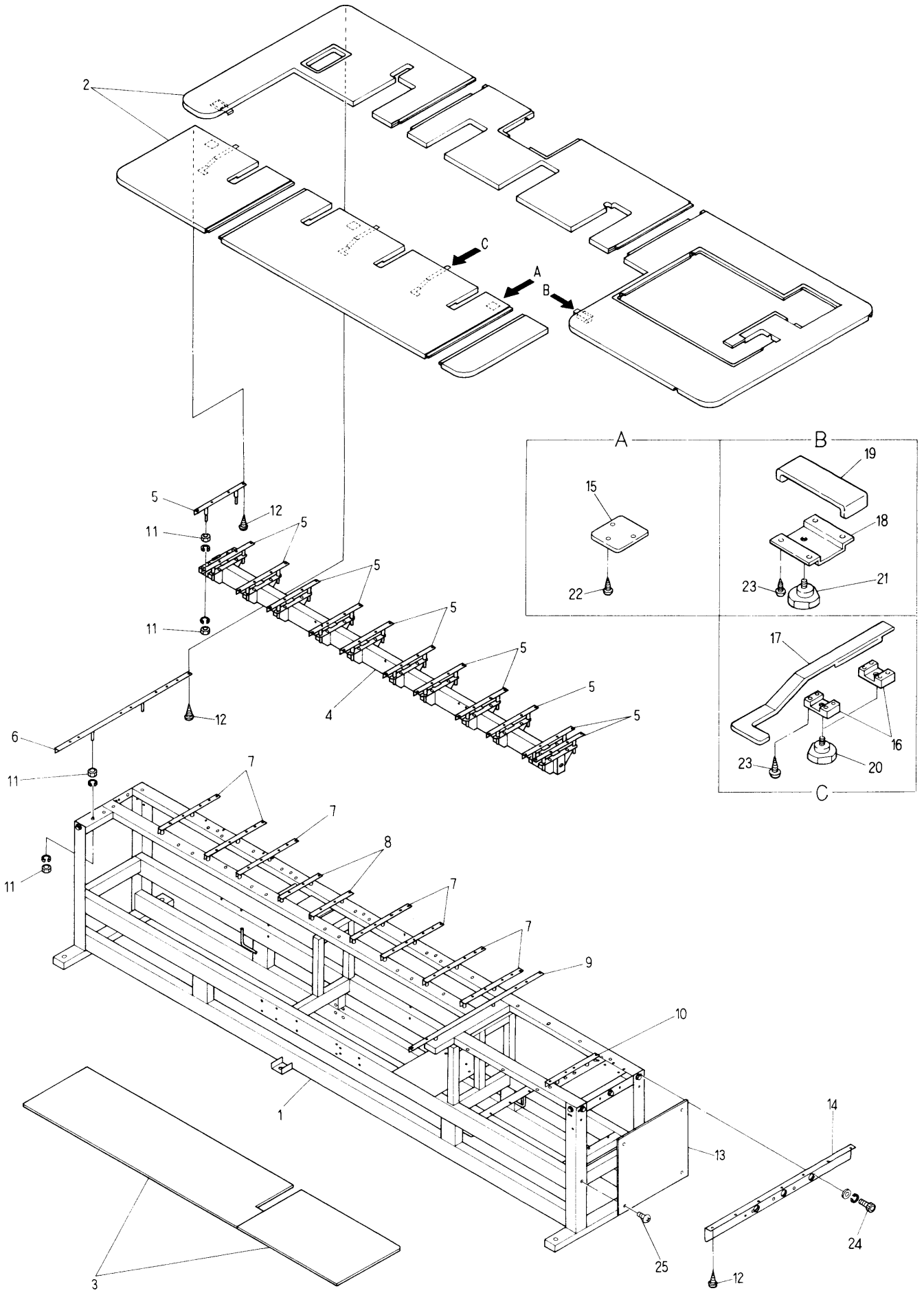
From the library of: Diamond Needle Corp



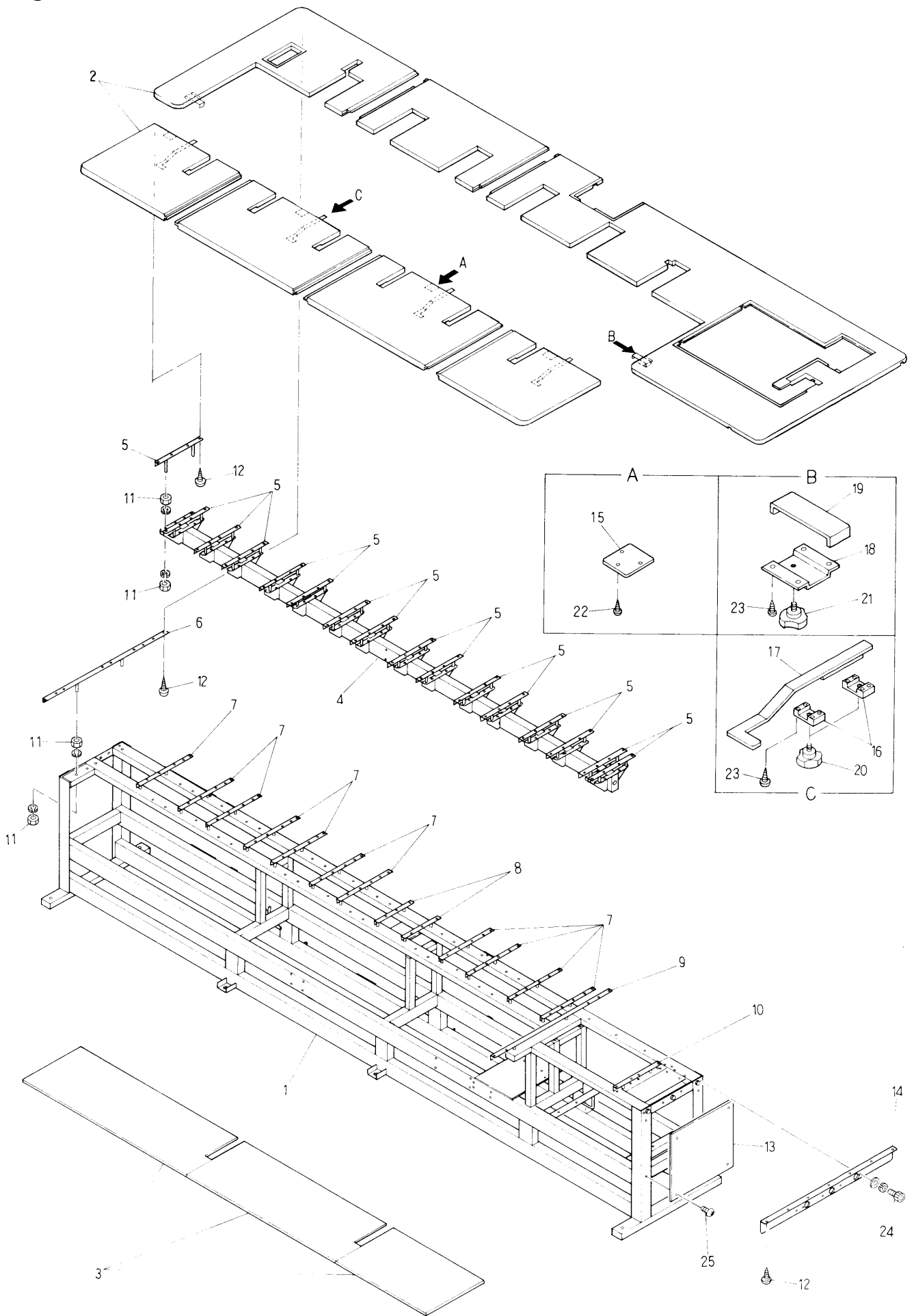
From the library of: Diamond Needle Corp



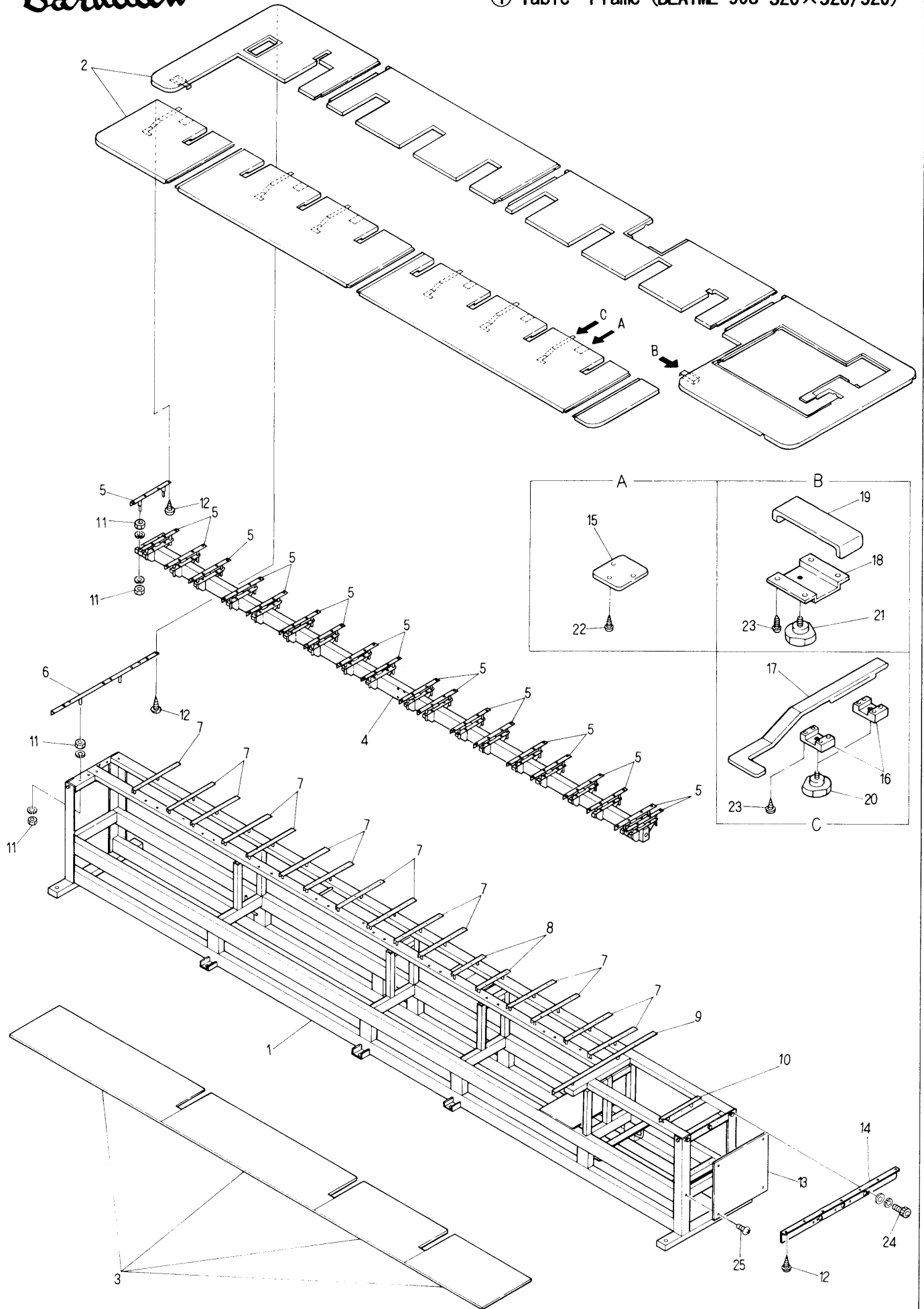
From the library of: Diamond Needle Corp



From the library of: Diamond Needle Corp



From the library of: Diamond Needle Corp

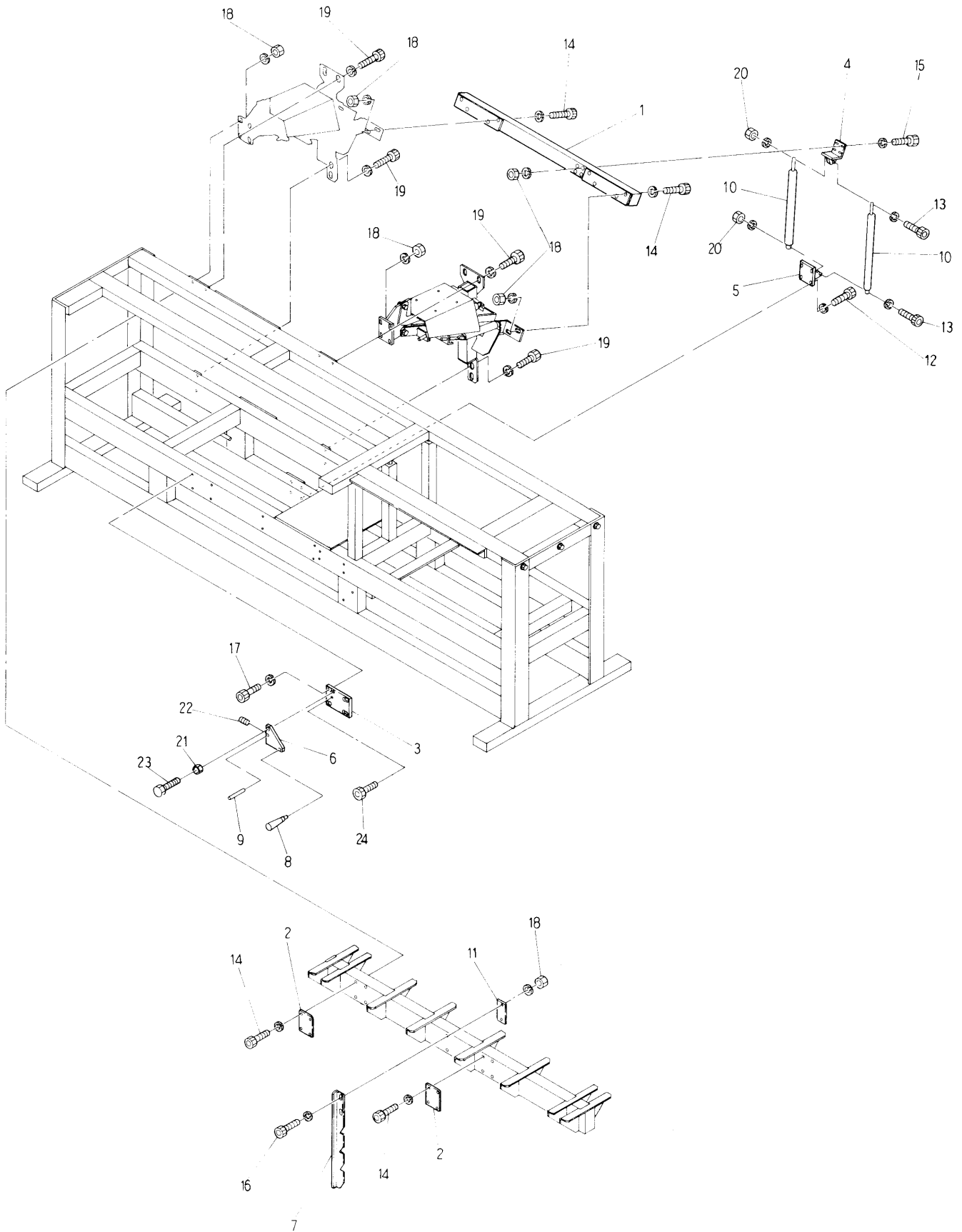


From the library of: Diamond Needle Corp

Barudan

② Table lifter mechanism I

(BEATME-902 320×520/520)

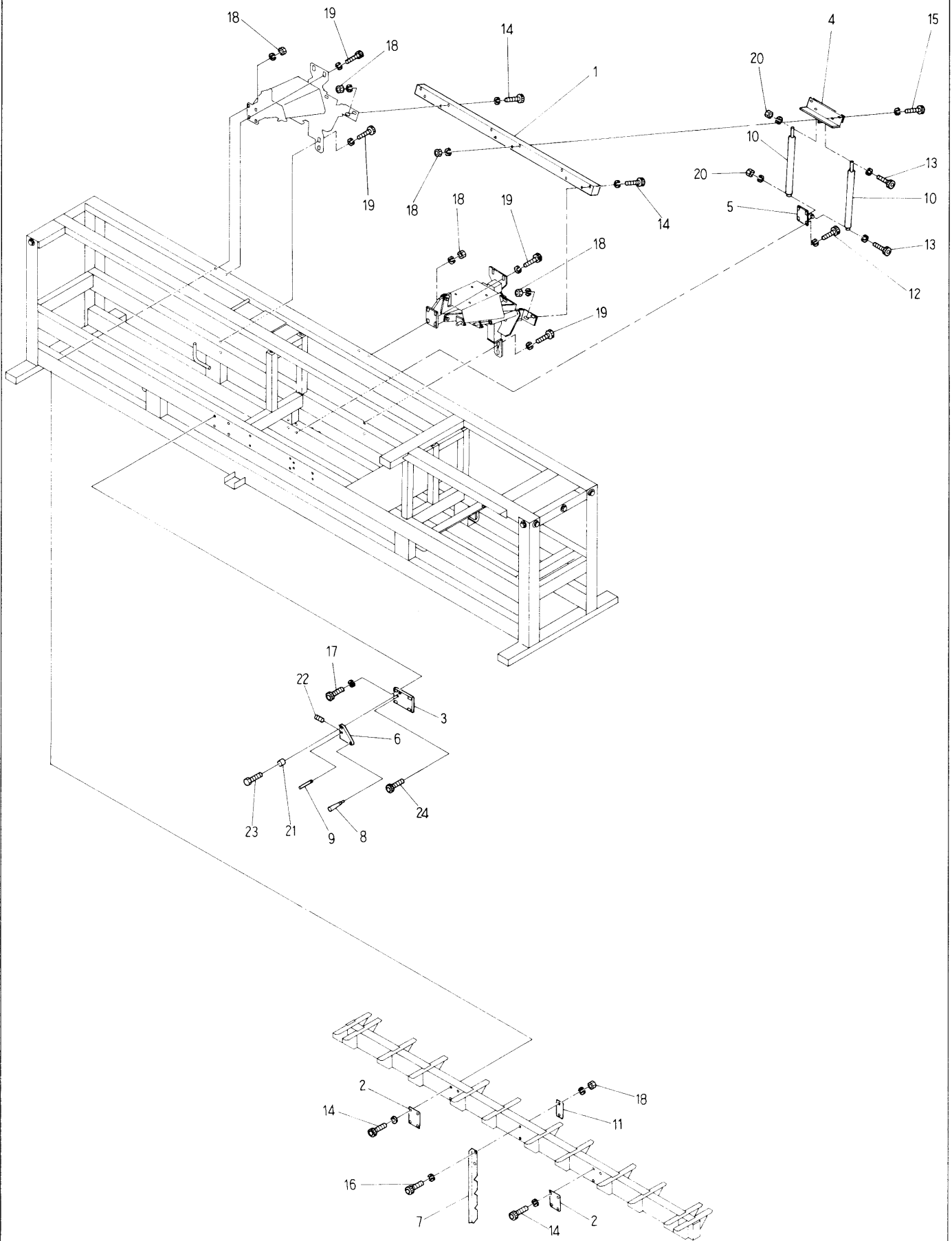


From the library of: Diamond Needle Corp

Barudan

② Table lifter mechanism I

(BEATME-904 320×520/520)



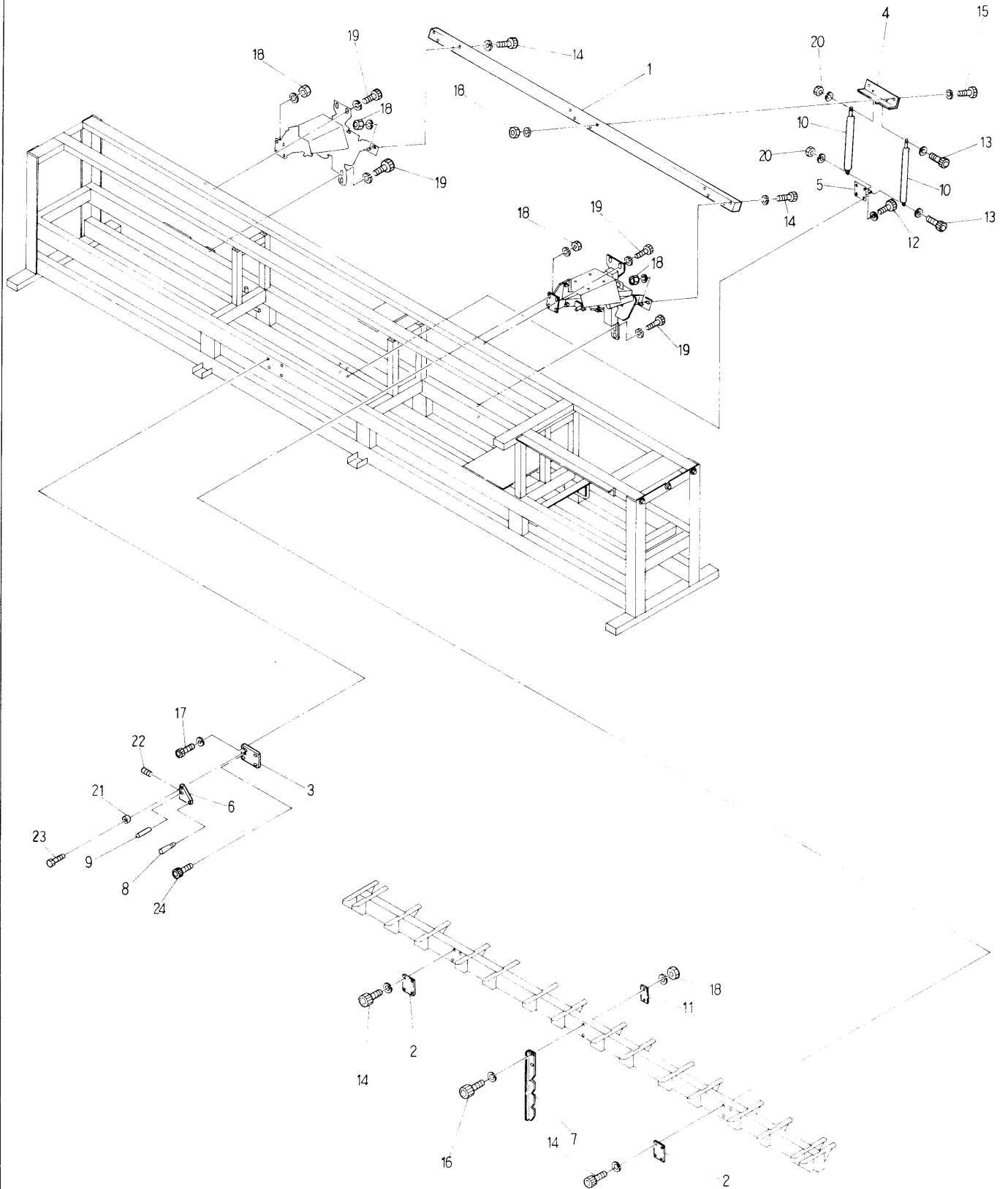
From the library of: Diamond Needle Corp

MODEL BEATME-YN
902
904
908

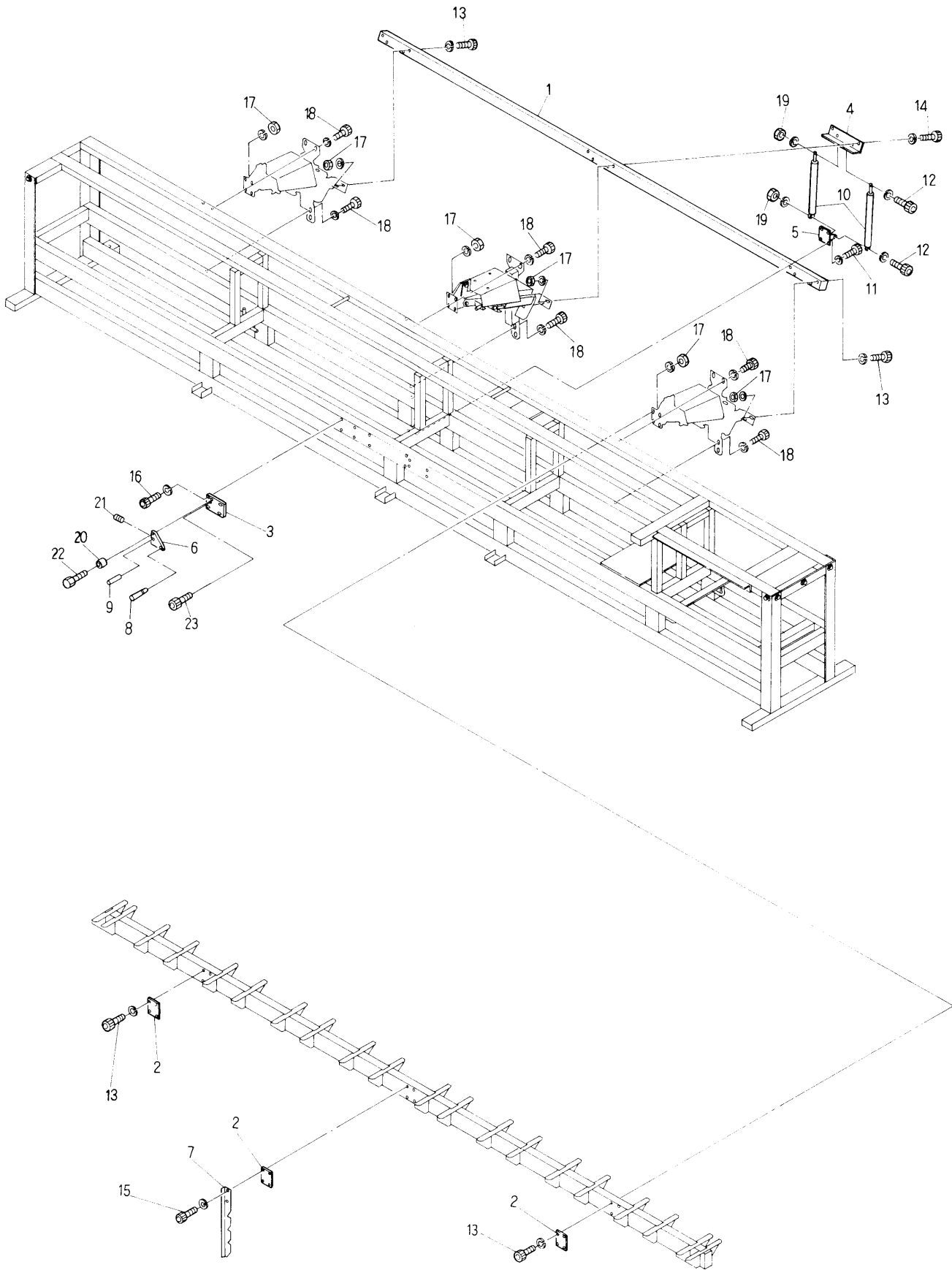
Barudan

② Table lifter mechanism I

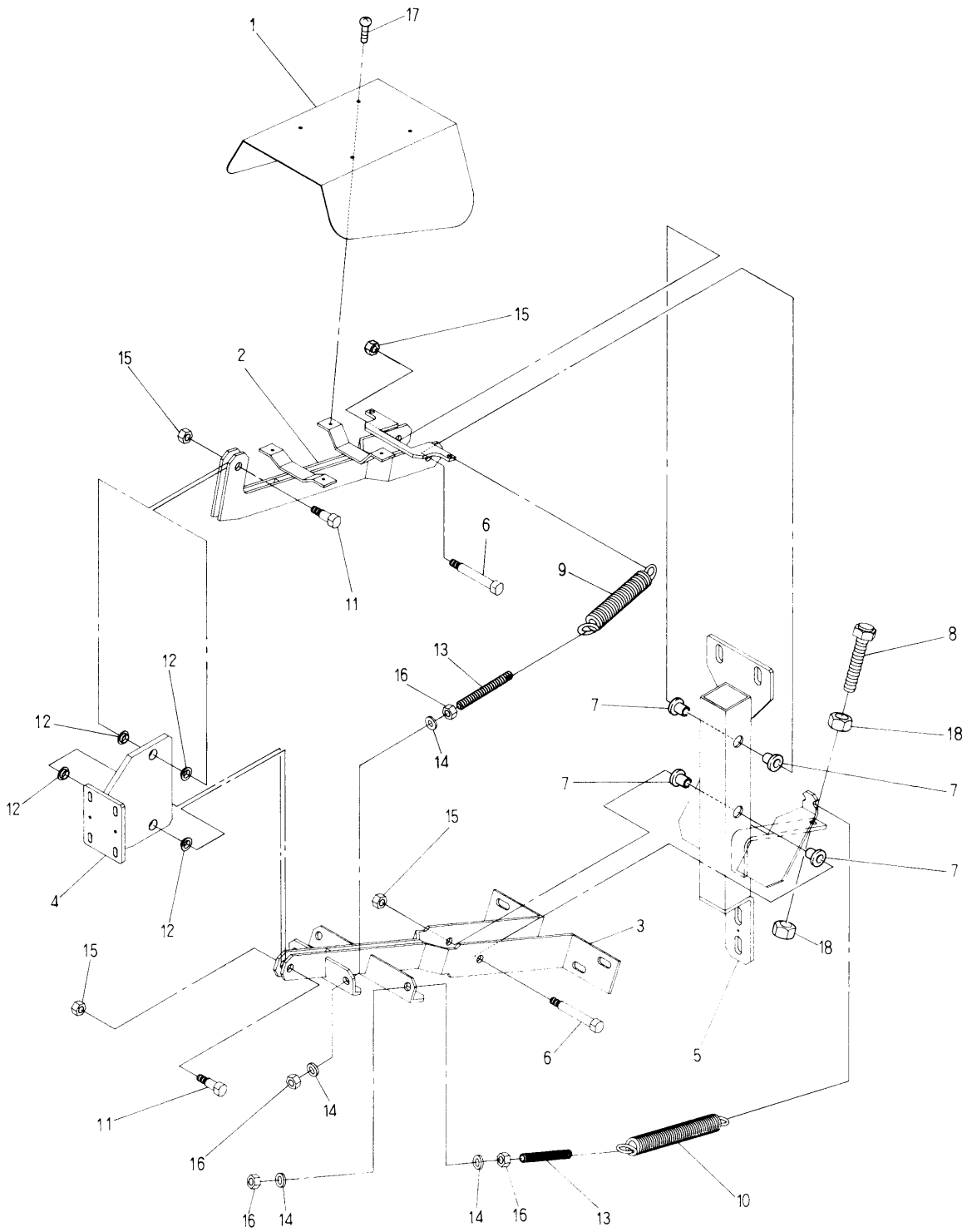
(BEATME-906 320×520/520)



From the library of: Diamond Needle Corp



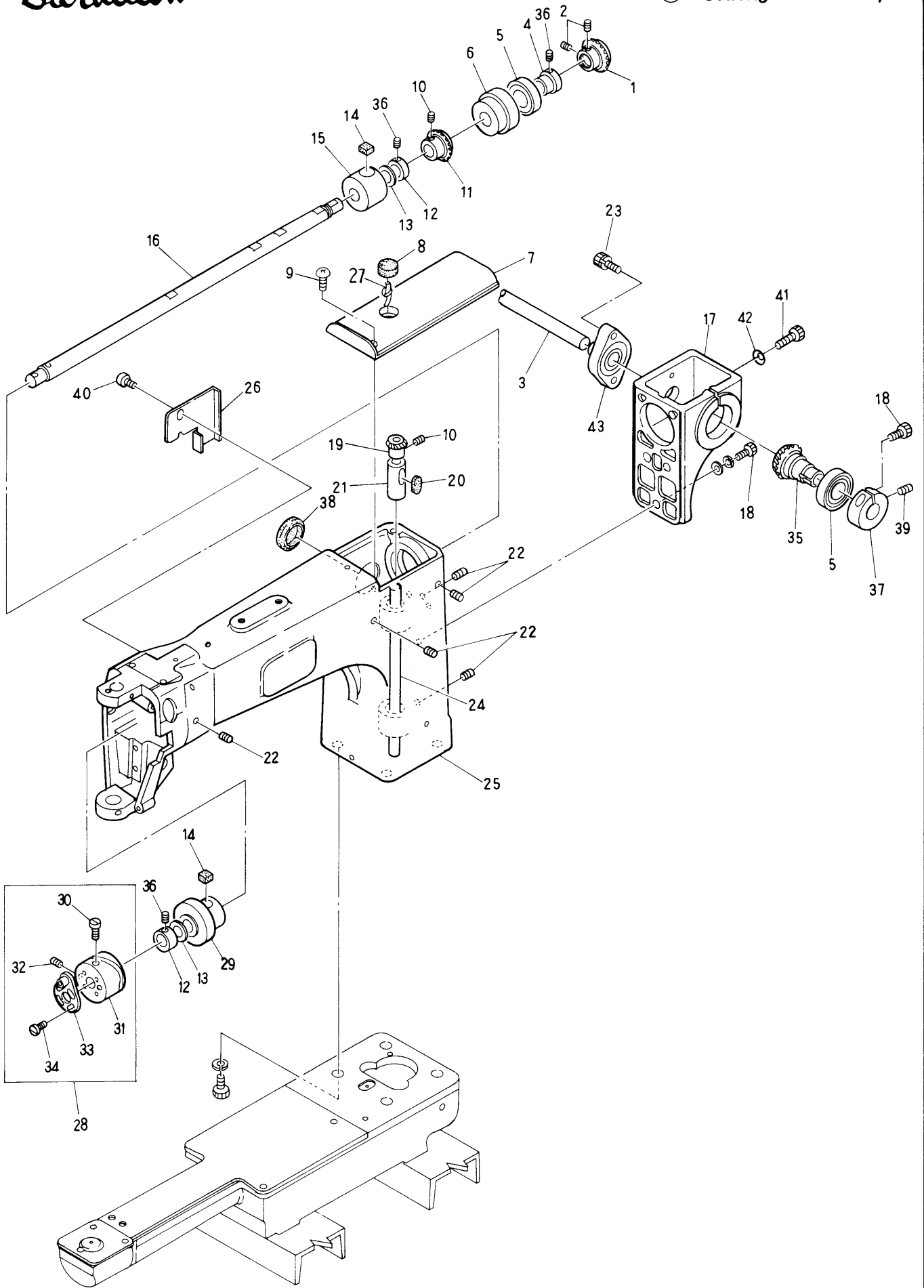
From the library of: Diamond Needle Corp



From the library of: Diamond Needle Corp

Barudan

④ Sewing head a'ssy



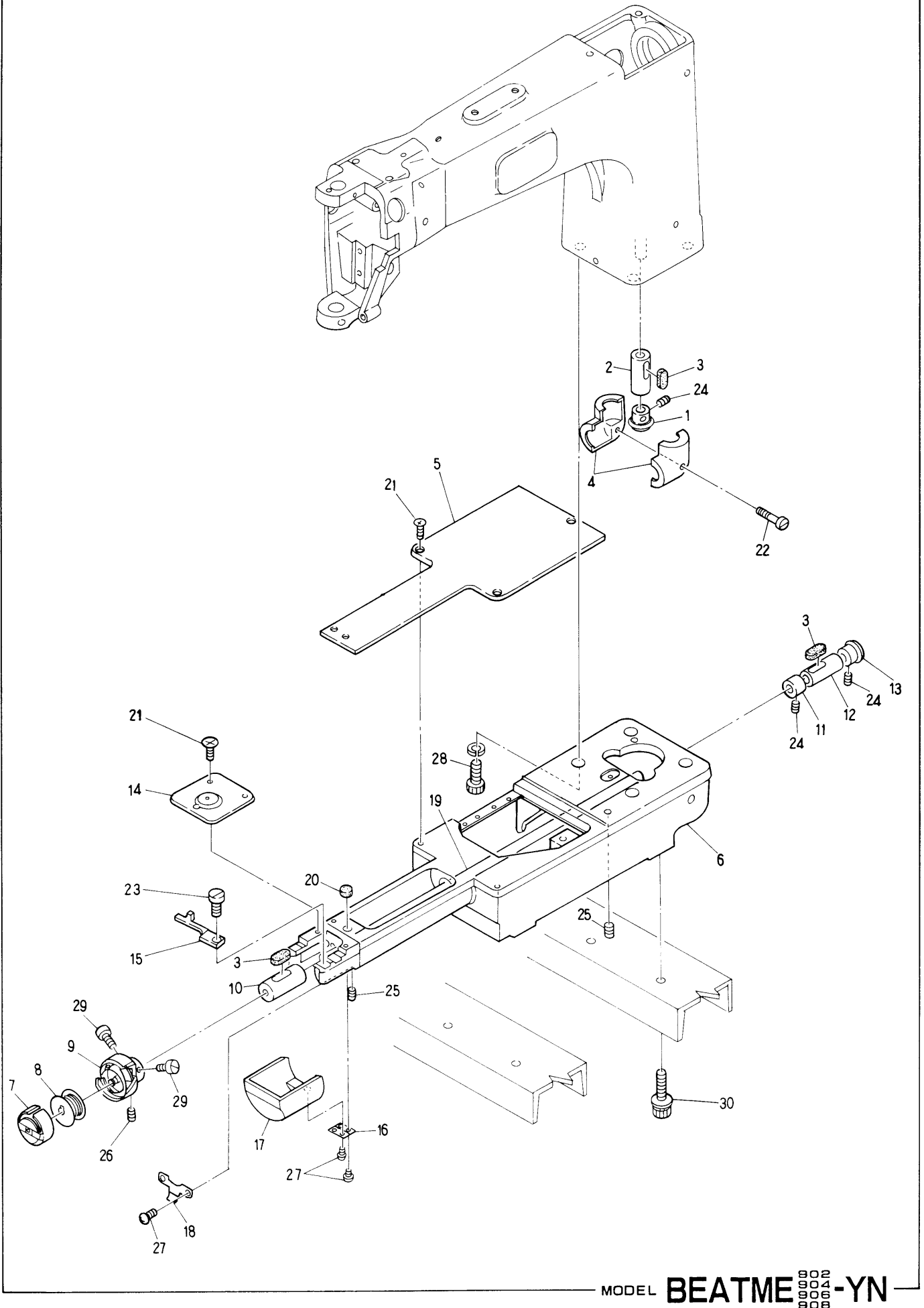
From the library of: Diamond Needle Corp

MODEL BEATME 90080402-YN 900808

④ Sewing head assembly (VN-YS use)

(H=Head Q'TY)

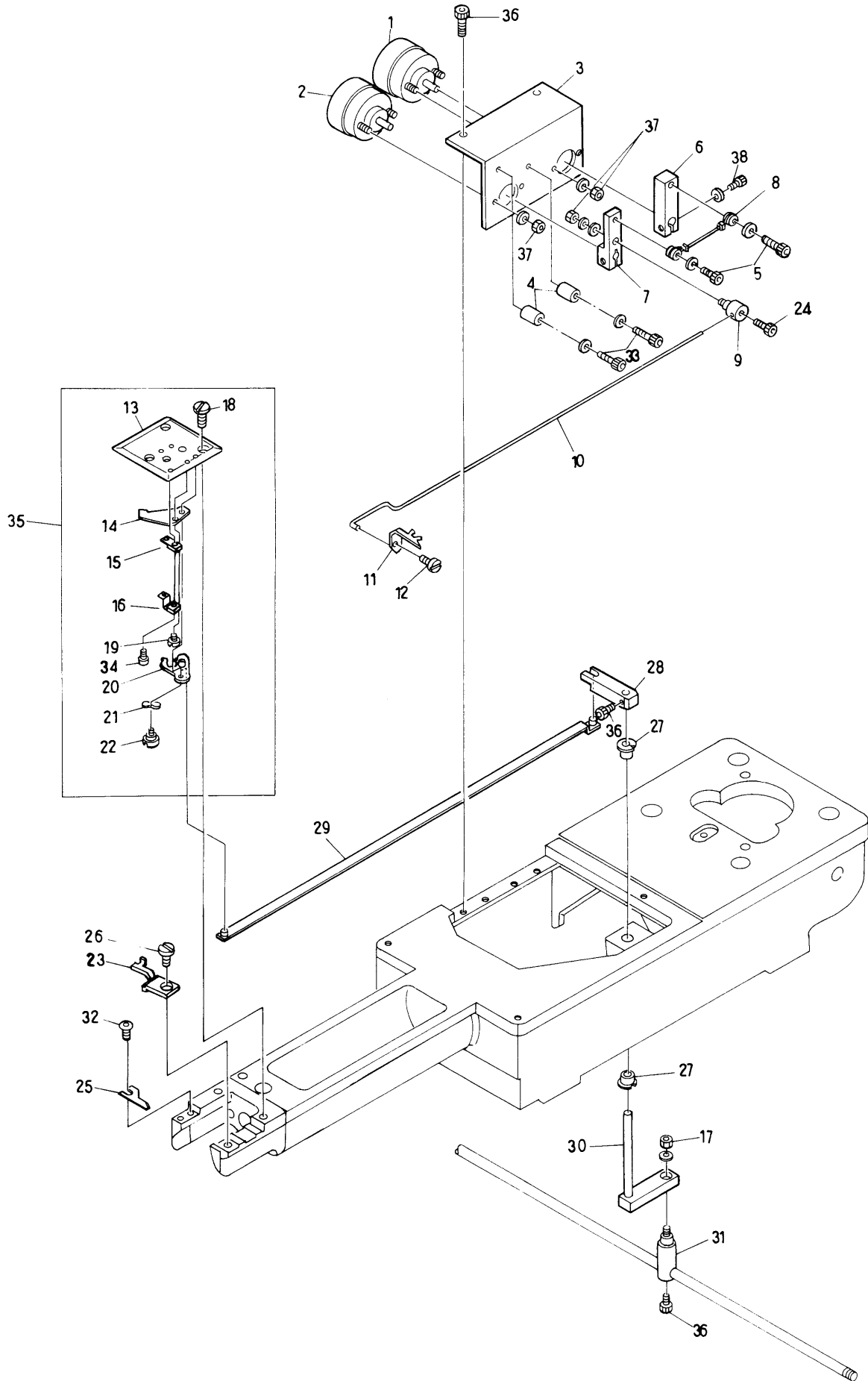
ITEM	LIST No.	DESCRIPTION	Q'TY	REMARK
1	KL220100	Top shaft (Spiral bevel M1.5-25R)	H×1	
2		Hex. socket set screw M6×6(With adhesion)	H×2	
3		Top shaft connecting shaft φ15		
4	KL220090	Top shaft bearing collar (Rear)	H×1	
5	A9010017	Bearing (6004ZZ)	H×2	
6	KL220040	Top shaft bearing casee (Rear)	H×1	
7	KL250040	Arm top cover	H×1	
8	KL220150	Oil felt D	H×1	
9		Truss screw M4×10		
10		Screw (SM1/4 40×4)		
11	KF220130	Bevel gear (Top shaft)	H×1	
12	KL220080	Top shaft collar	H×2	
13	HP231390	Thrust washer (Top shaft gear)	H×2	
14	KL220130	Oil felt B	H×2	
15	KL220030	Top shaft metal (Middle)	H×1	
16	KL220000	Top shaft	H×1	
17	KL210140	Arm gear case	H×1	
18		Hex. socket bolt M6×25		
19	KF220460	Bevel gear (Vertical shaft upper)	H×1	
20	KL220140	Oil felt C	H×1	
21	KL220050	Vertical metal (Upper)	H×1	
22		Hex. socket set screw M6×8		
23		Hex. socket bolt M6×30 (With spring washer)		
24	KL220010	Vertical shaft	H×1	
25	KB210160	Arm	H×1-L	
	KR210030	Arm (BEAT900)	1	For color change
26	KL250051	Arm side cable cover	H×1	
27	KC251330	Oil core L=75	H×1	
28	KB230010	Take up lever cam K6 90° with crank	H×1	
29	KL220020	Top shaft metal (Front)	H×1	
30	KF230420	Take up lever cam set screw	H×1	
31	KB230030	Take up lever cam K9	H×1	
32		Screw (SM15/64 28×10) (With adhesion)	H×1	
33	KB230050	90° Crank	H×1	
34	A9012007	Screw (SM11/64 40×10)	H×1	
35	KL320000	Connecting gear (Spiral bevel M1.5-25L)	H×1	
36		Hex. socket set screw M6×6		
37	KL320020	Connecting gear clamp φ19	H×1	
38	A9014063	Grommet C-30-SG-36A	H×1	
39		Hex. socket set screw M6×10		
40		Truss screw M4×8		
41		Hex. socket bolt M6×60		
42		Disc spring M6		
43	HP321110	Top shaft connecting unit	H×1	



From the library of: Diamond Needle Corp

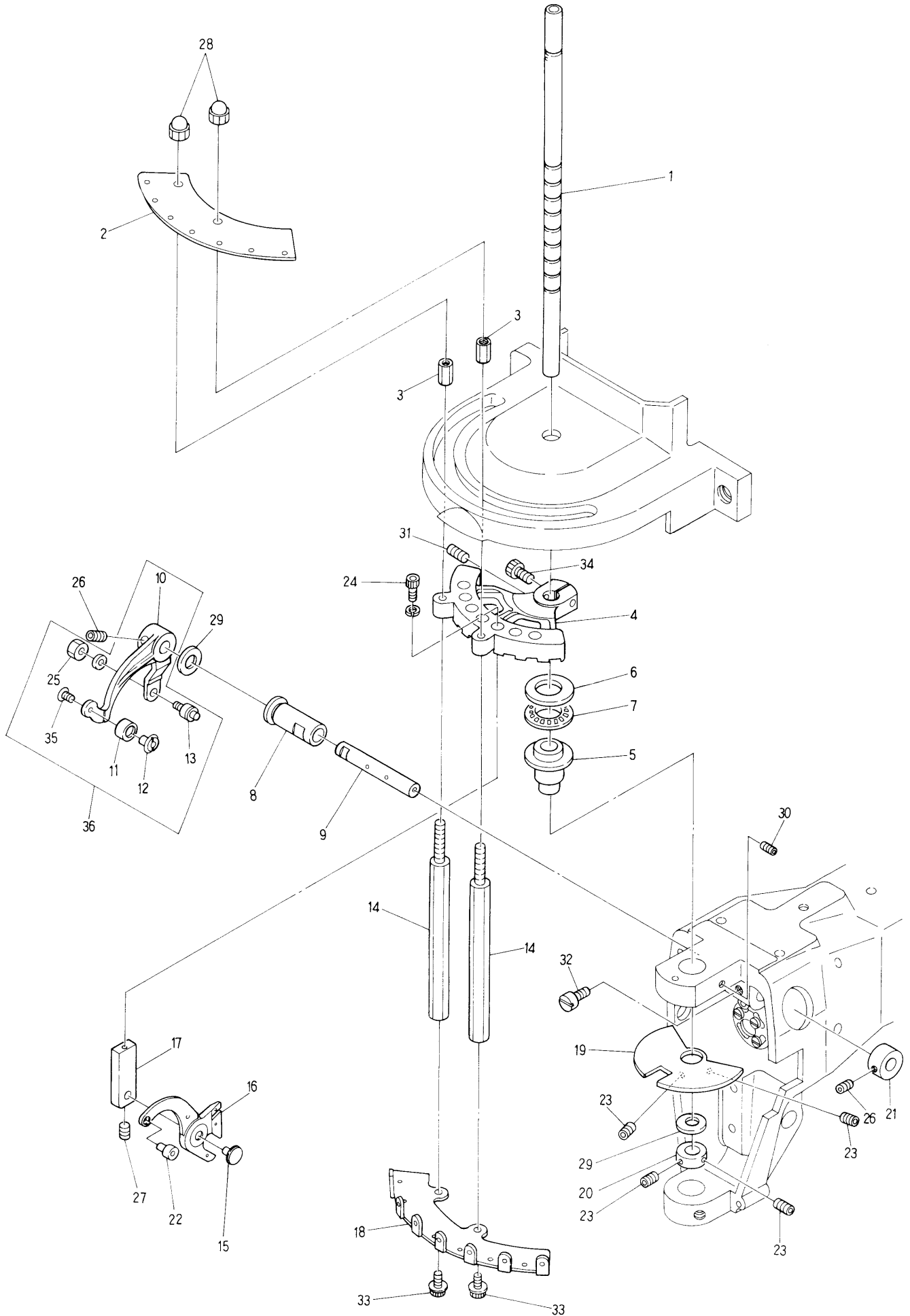
Barudan

⑥ Automatic thread cutting mechanism I
(Thread cutting section)

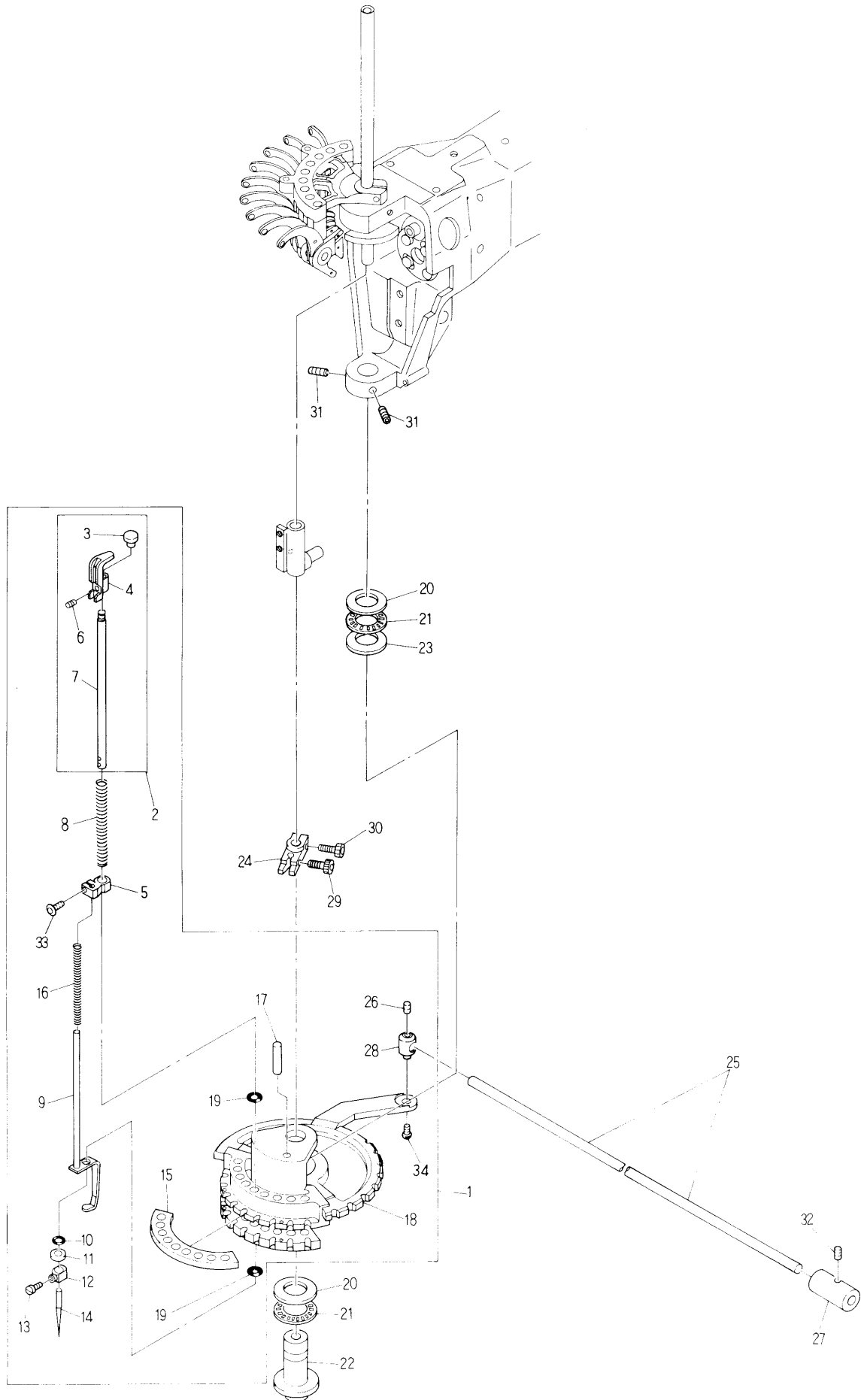


From the library of: Diamond Needle Corp

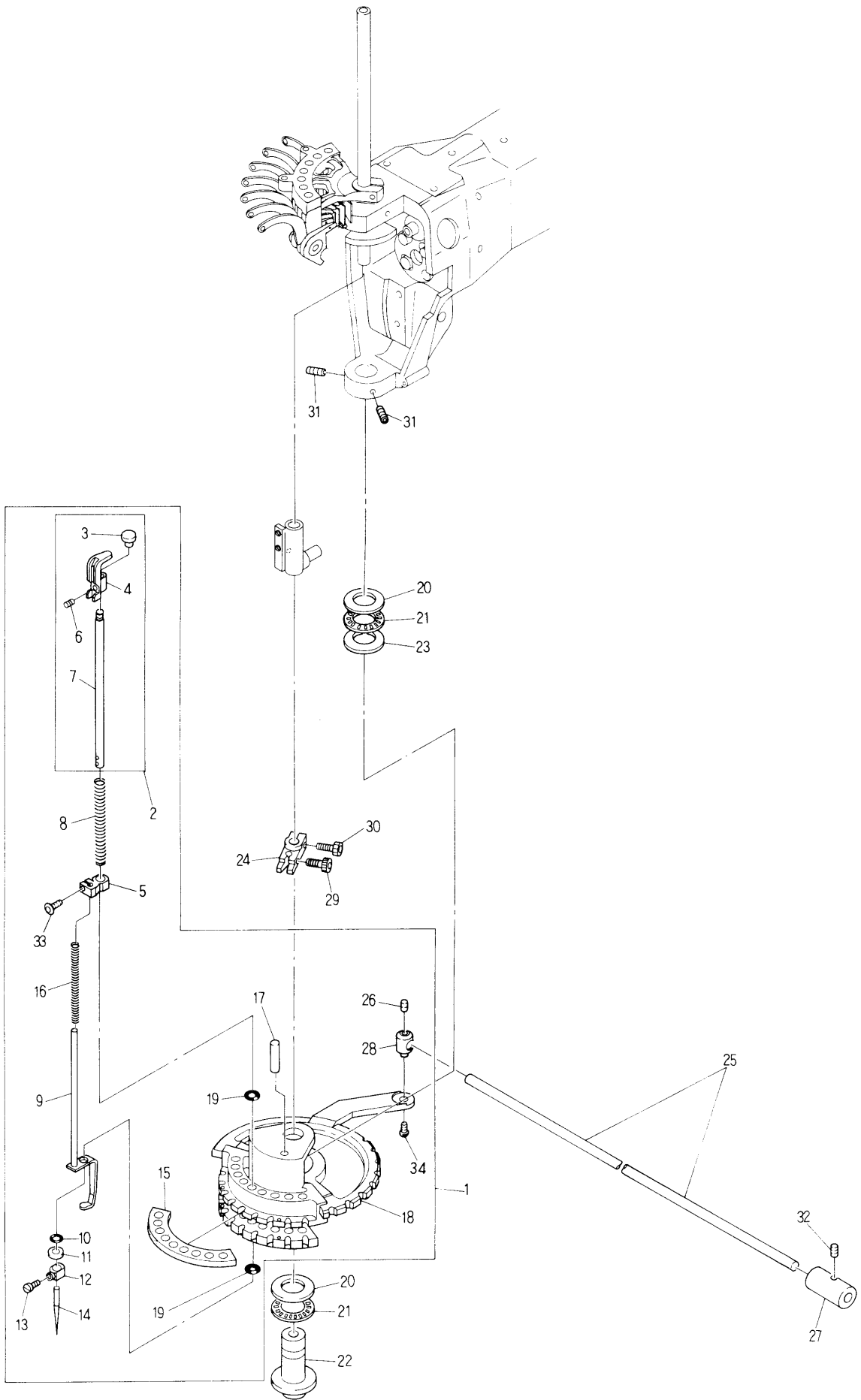
MODEL BEATME 802-YN
804
808
808



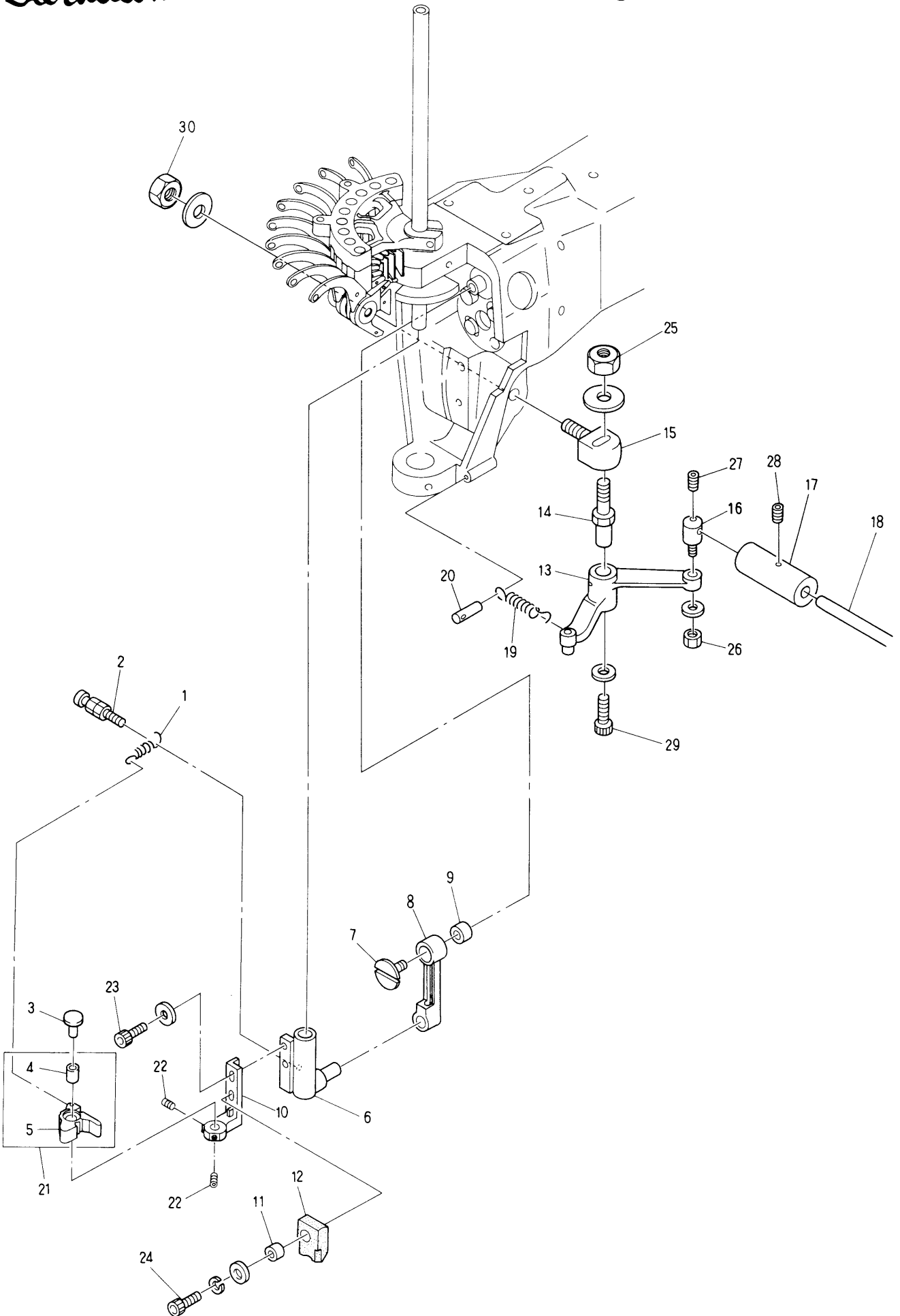
From the library of: Diamond Needle Corp



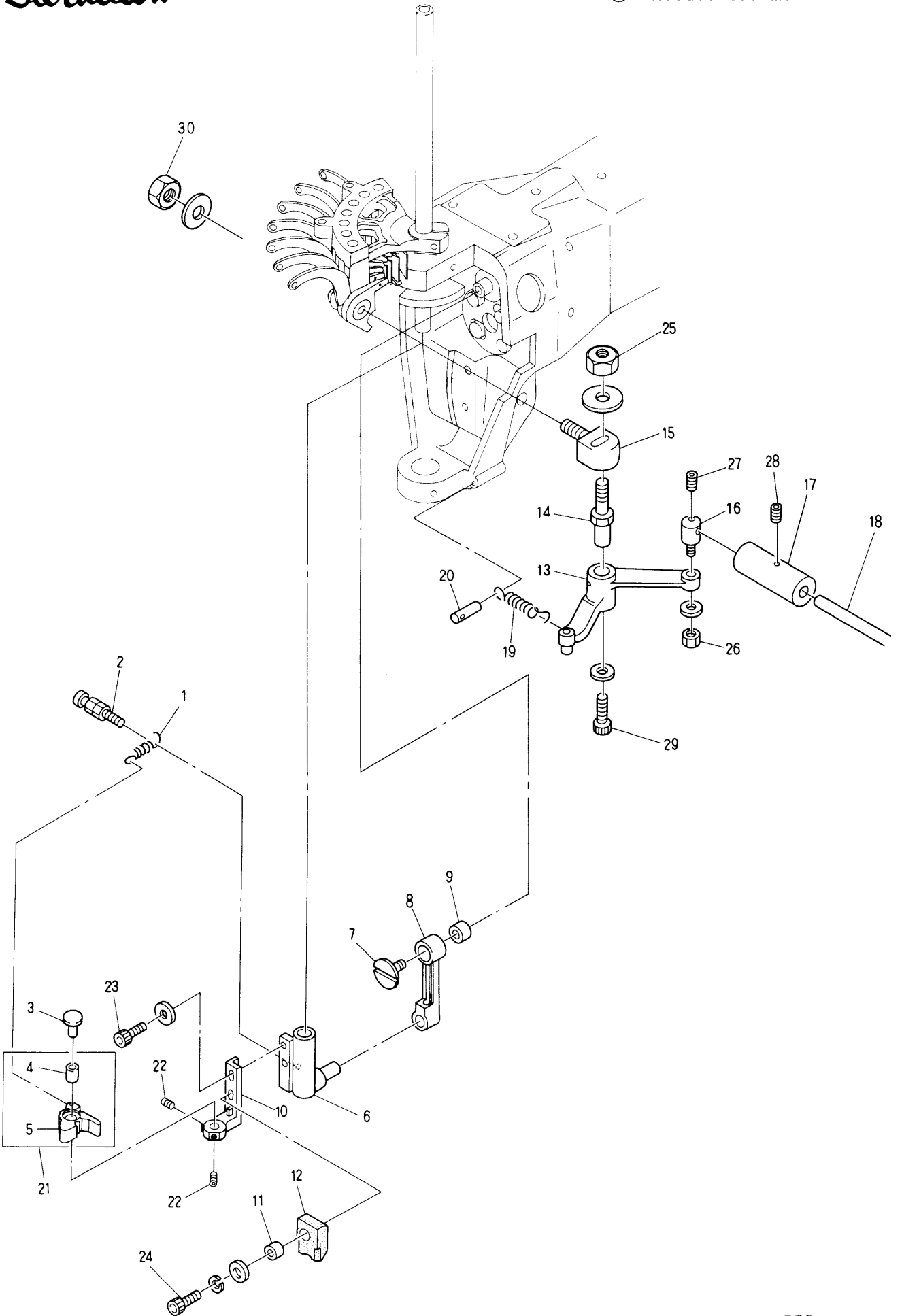
From the library of: Diamond Needle Corp



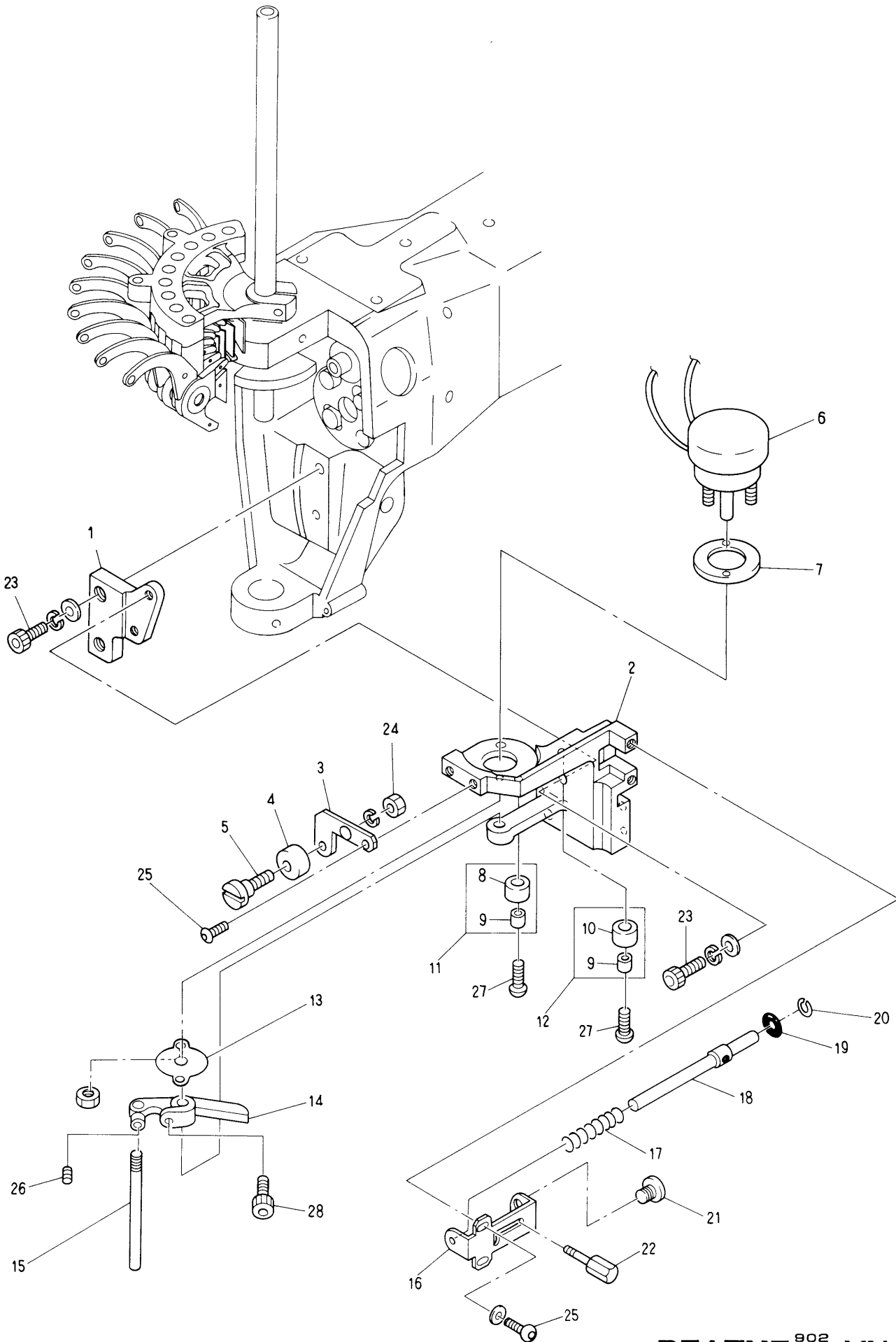
From the library of: Diamond Needle Corp



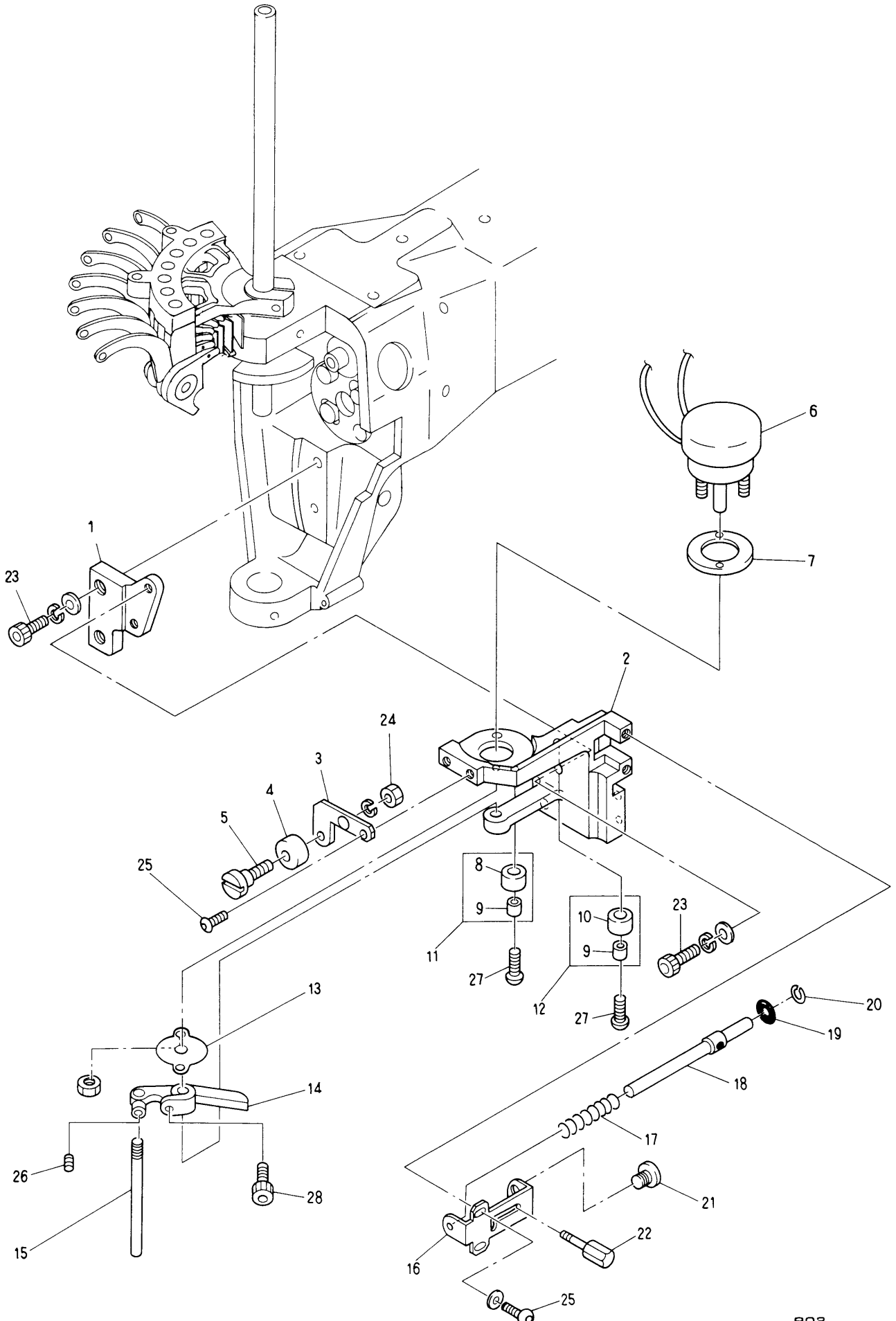
From the library of: Diamond Needle Corp



From the library of: Diamond Needle Corp



From the library of: Diamond Needle Corp



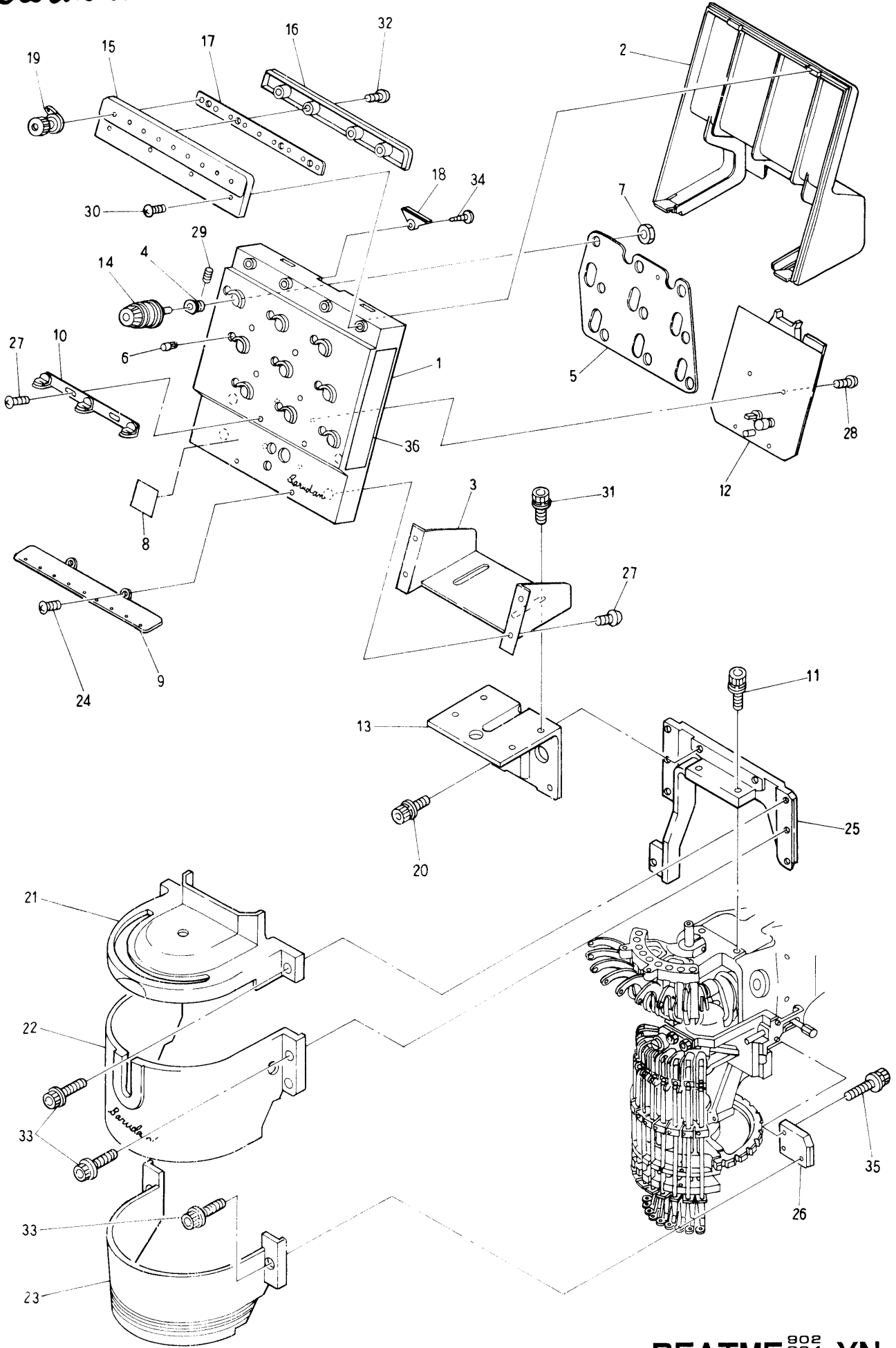
From the library of: Diamond Needle Corp

MODEL BEATME-YS

8002
8004
8006
8008

Barudan

⑪ Thread guide mechanism

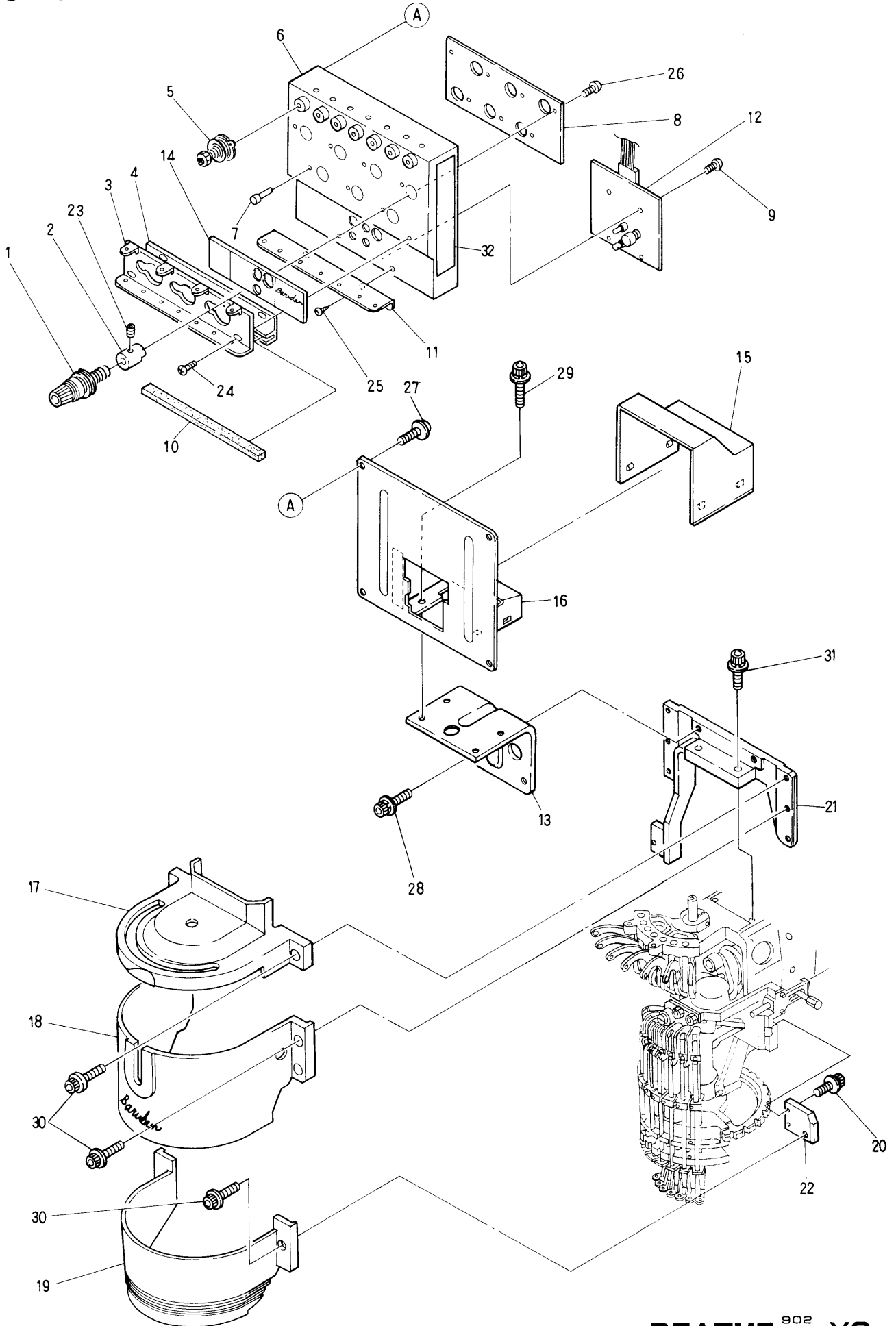


From the library of: Diamond Needle Corp

MODEL BEATME 802
804
808
808 -YN

Barudan

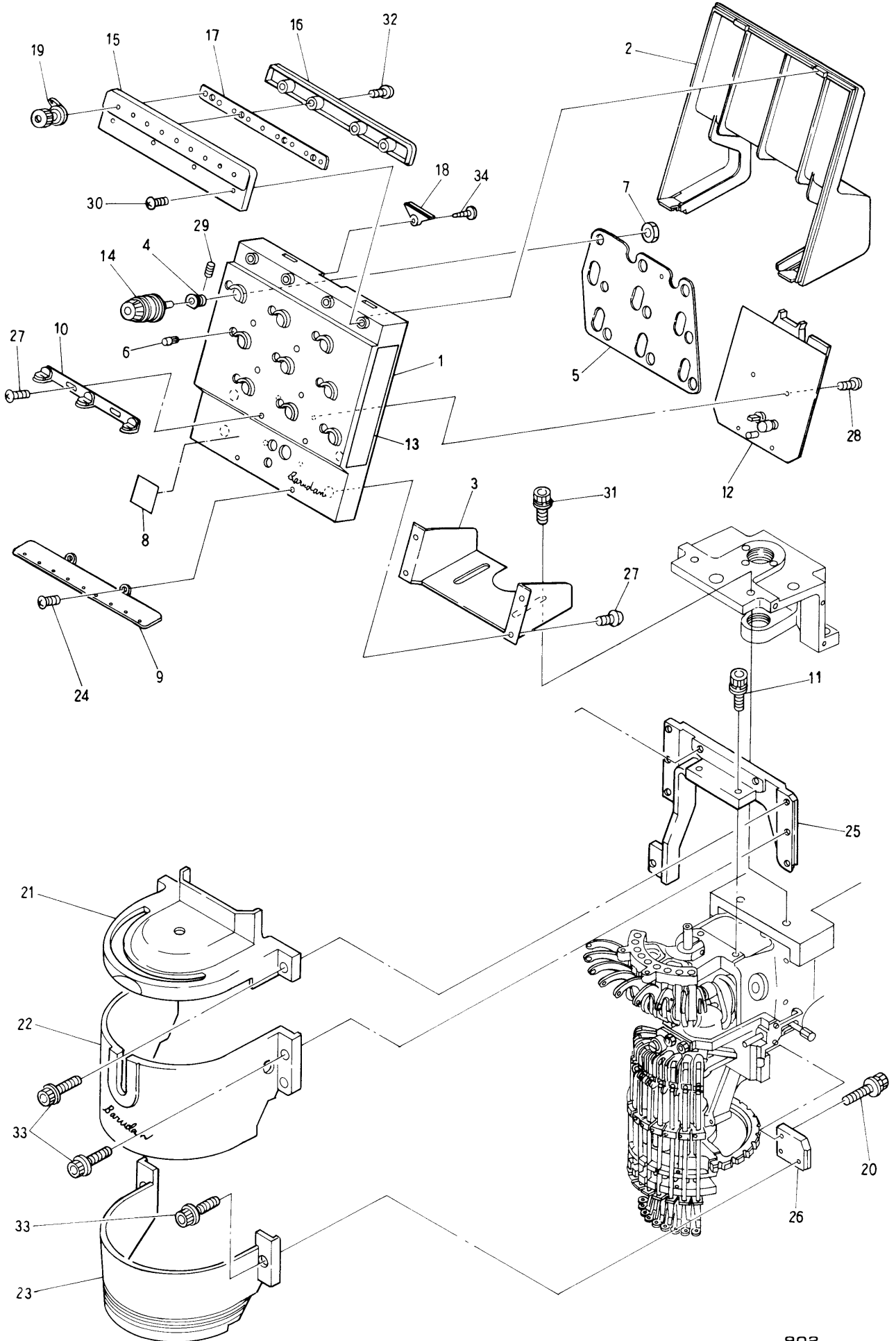
⑪ Thread guide mechanism



From the library of: Diamond Needle Corp

MODEL BEATME -YS
902
904
906
908

Barudan — ⑫ Thread guide mechanism (Head with color change mechanism)



From the library of: Diamond Needle Corp

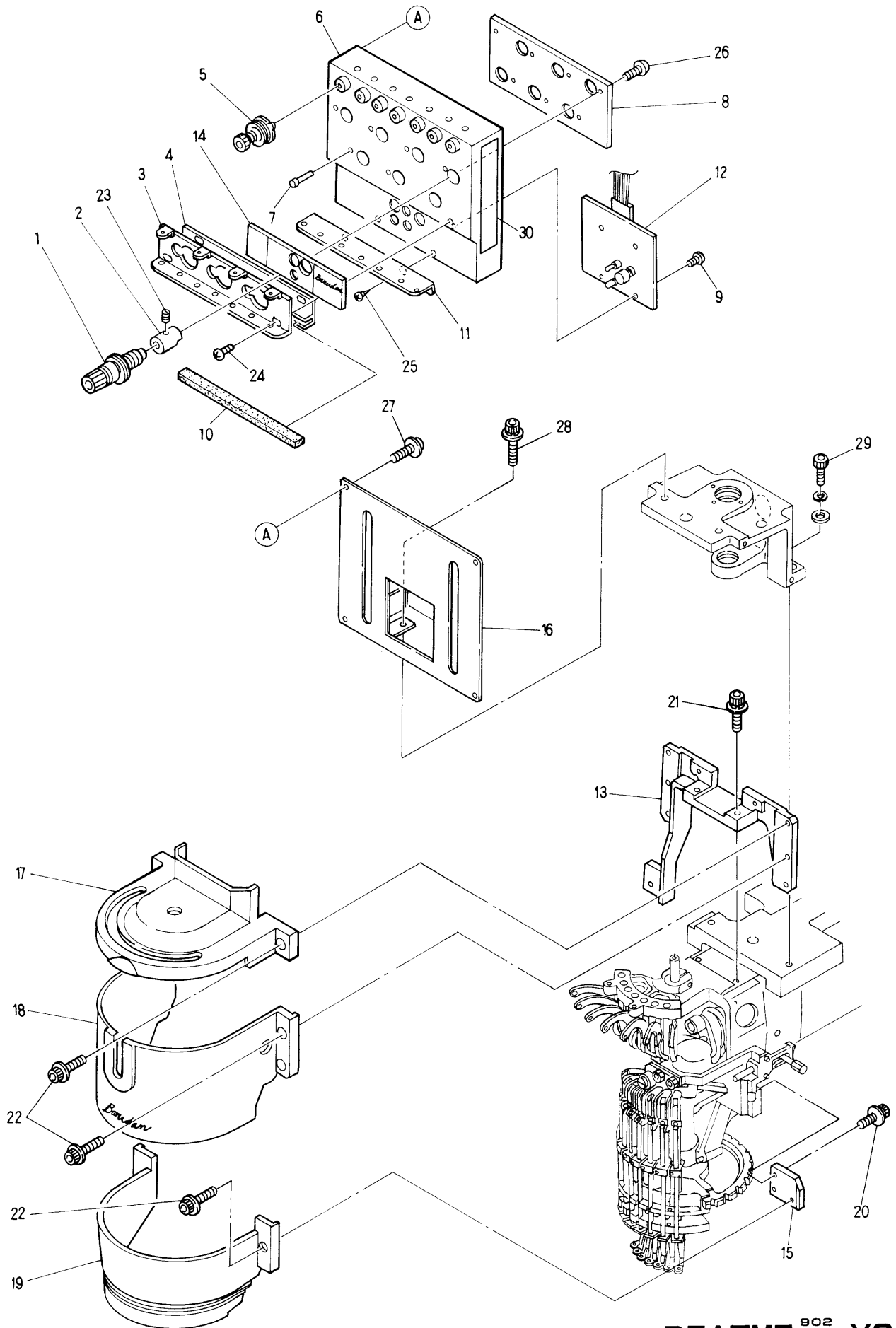
MODEL **BEATME**

88	00
88	04
88	02
88	06
88	08

 -YN

Barudan

⑫ Thread guide mechanism
(Head with color change mechanism)

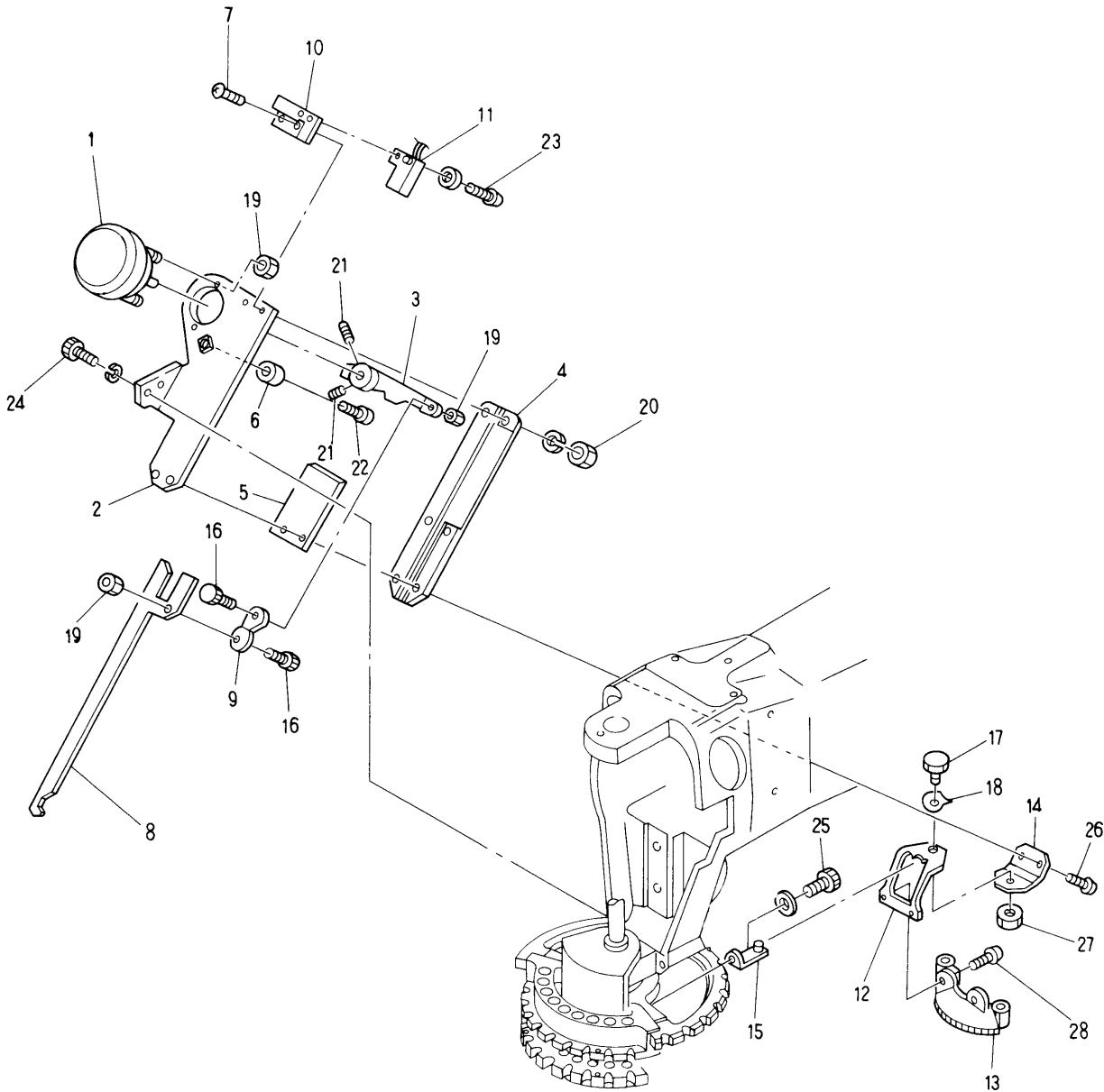


From the library of: Diamond Needle Corp

MODEL BEATME 802 804 806 808 -YS

Barudan

⑬ Automatic thread cutting mechanism II
(Thread away section)



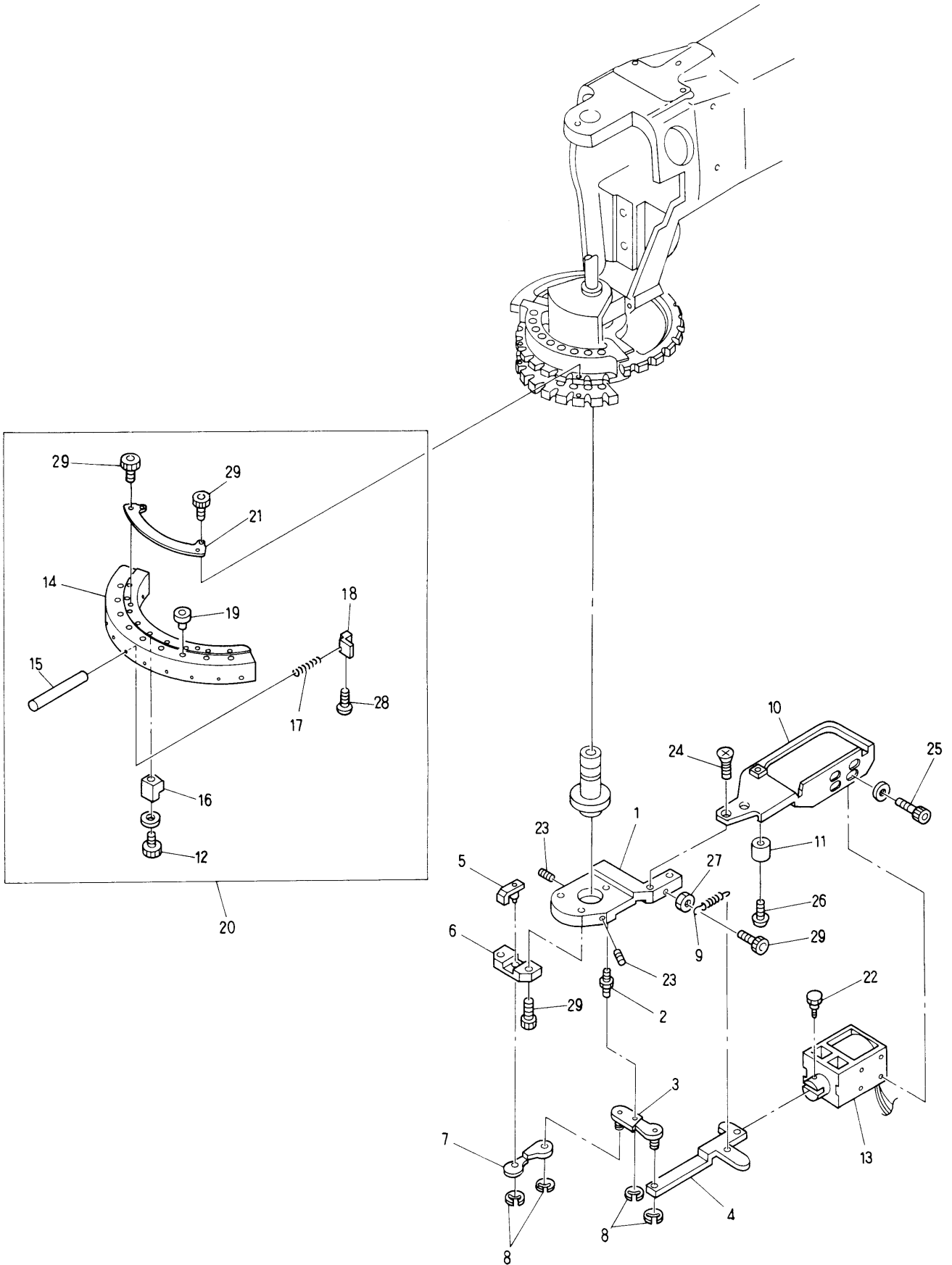
From the library of: Diamond Needle Corp

MODEL BEATME

8	8	0	0	2
8	0	0	4	2
8	0	8	8	8

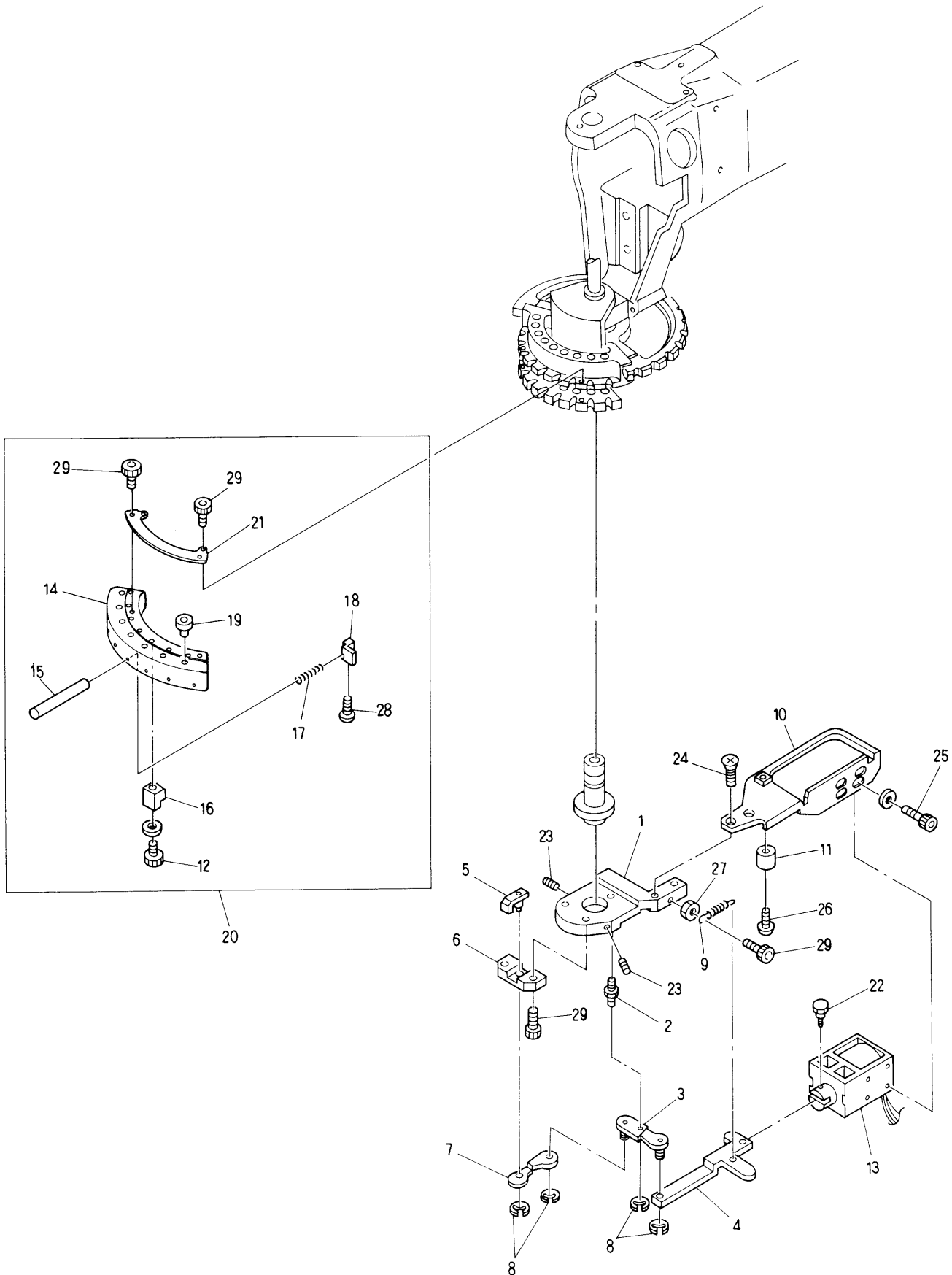
 -YN

⑭ Automatic thread cutting mechanism III
(Thread support section)



From the library of: Diamond Needle Corp

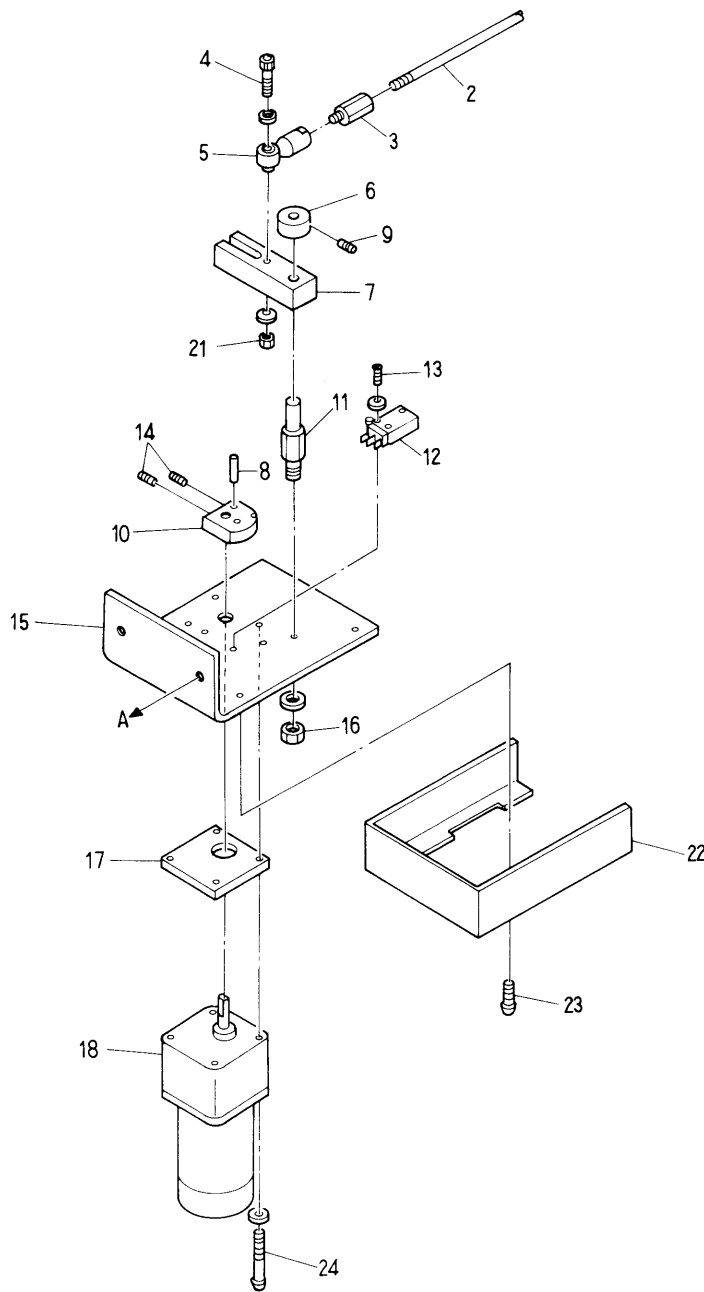
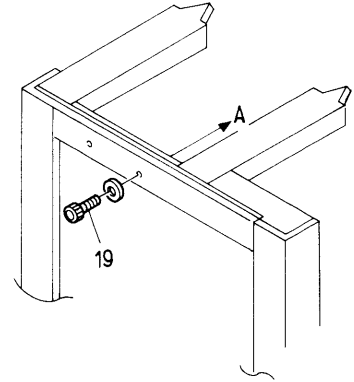
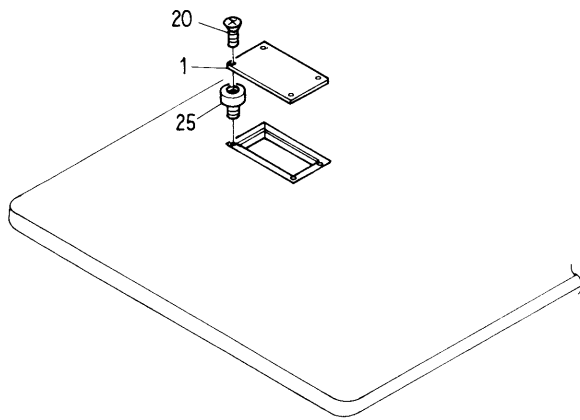
⑭ Automatic thread cutting mechanism III
(Thread support section)



From the library of: Diamond Needle Corp

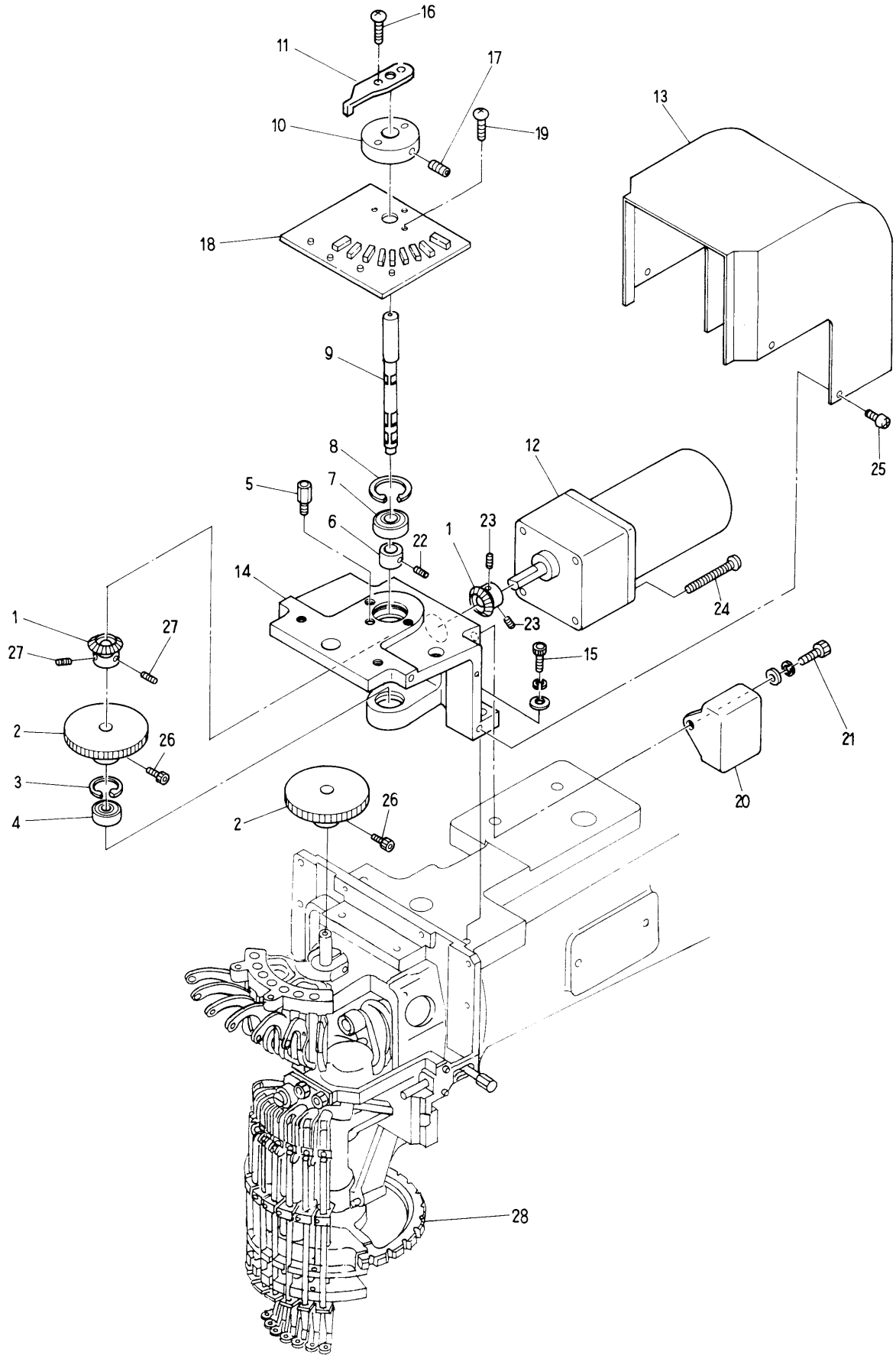
Barudan

⑮ Automatic thread cutting mechanism IV
(Drive mechanism)

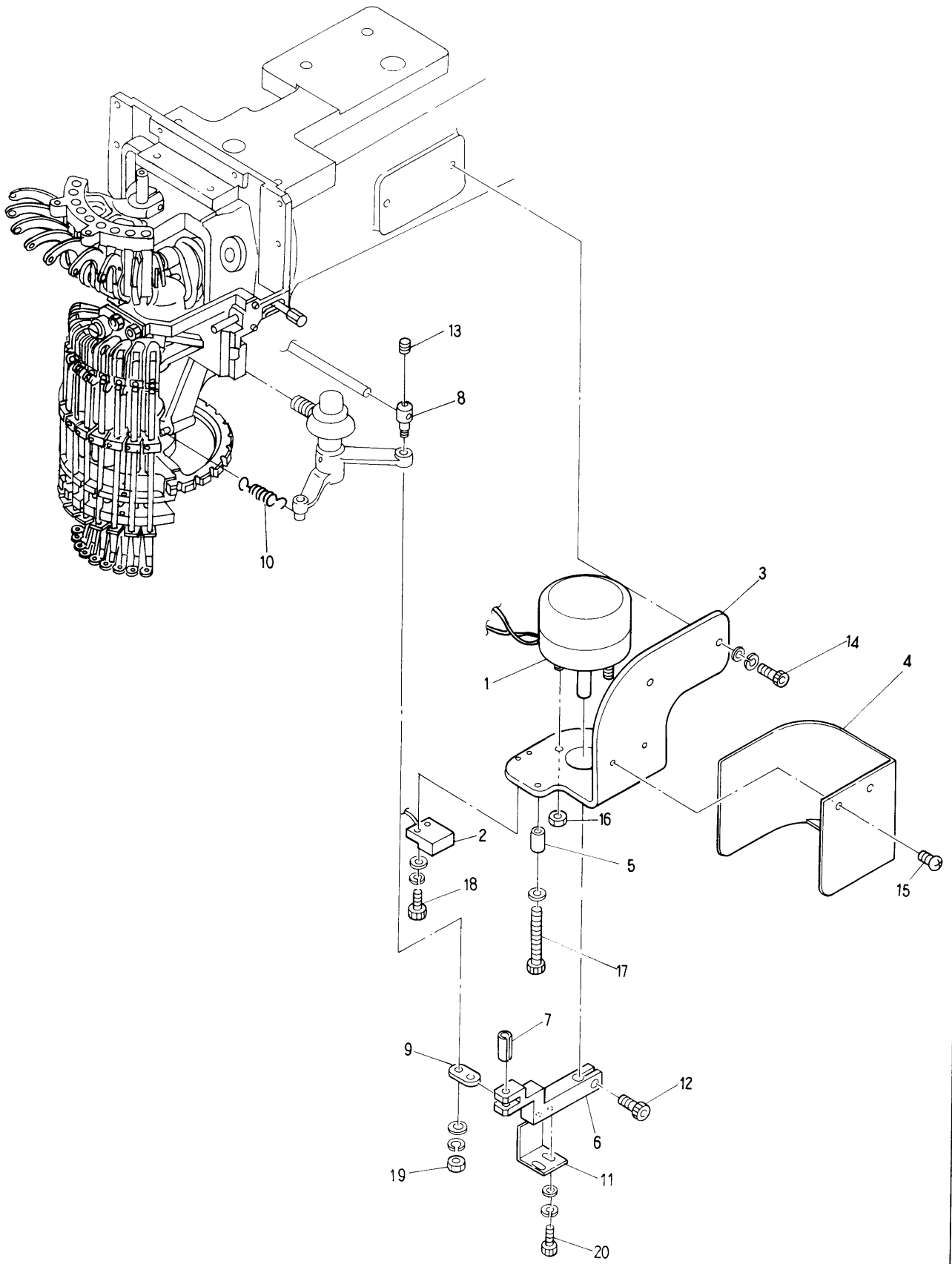


From the library of: Diamond Needle Corp

MODEL BEATME 802
804
806
808 -YN

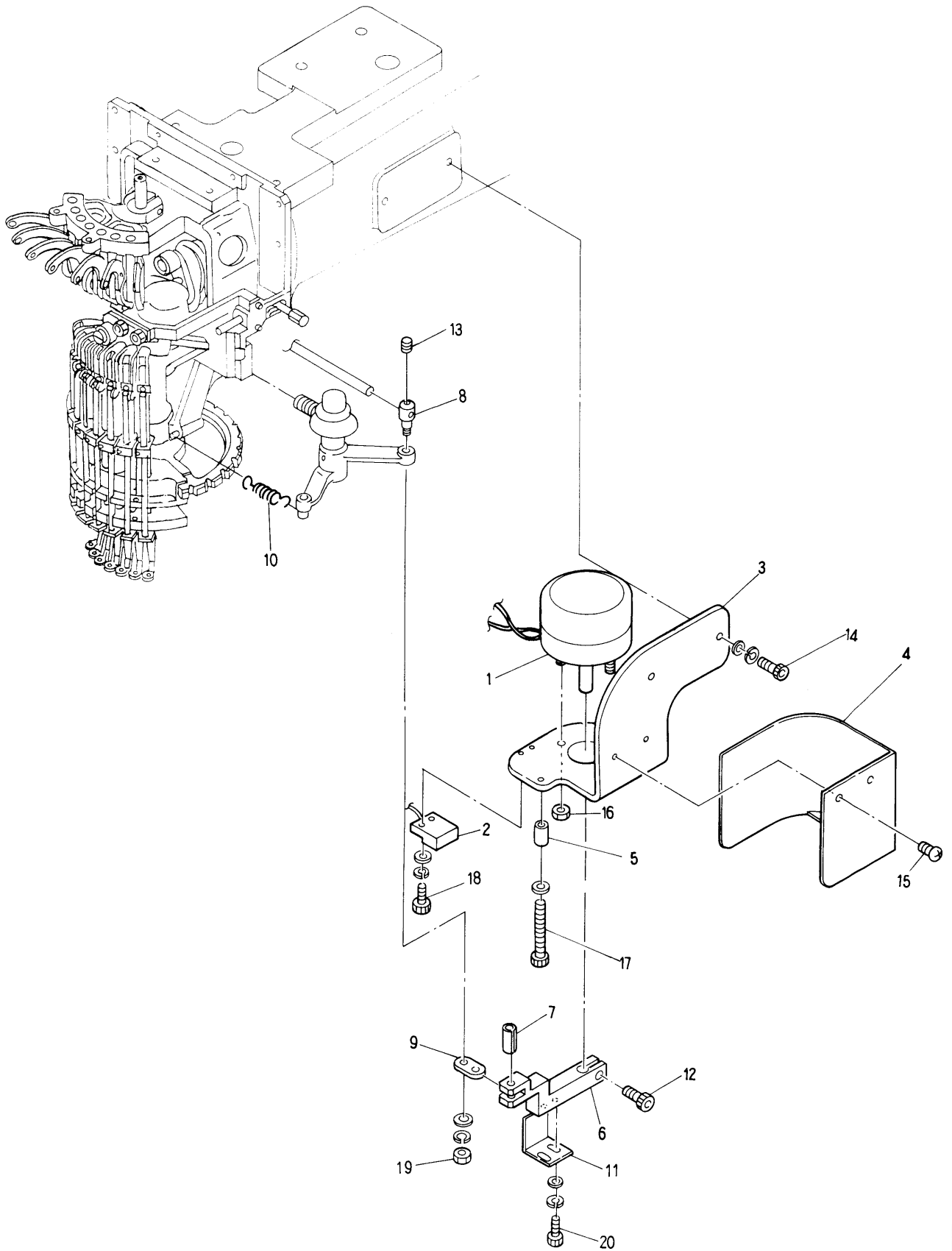


From the library of: Diamond Needle Corp

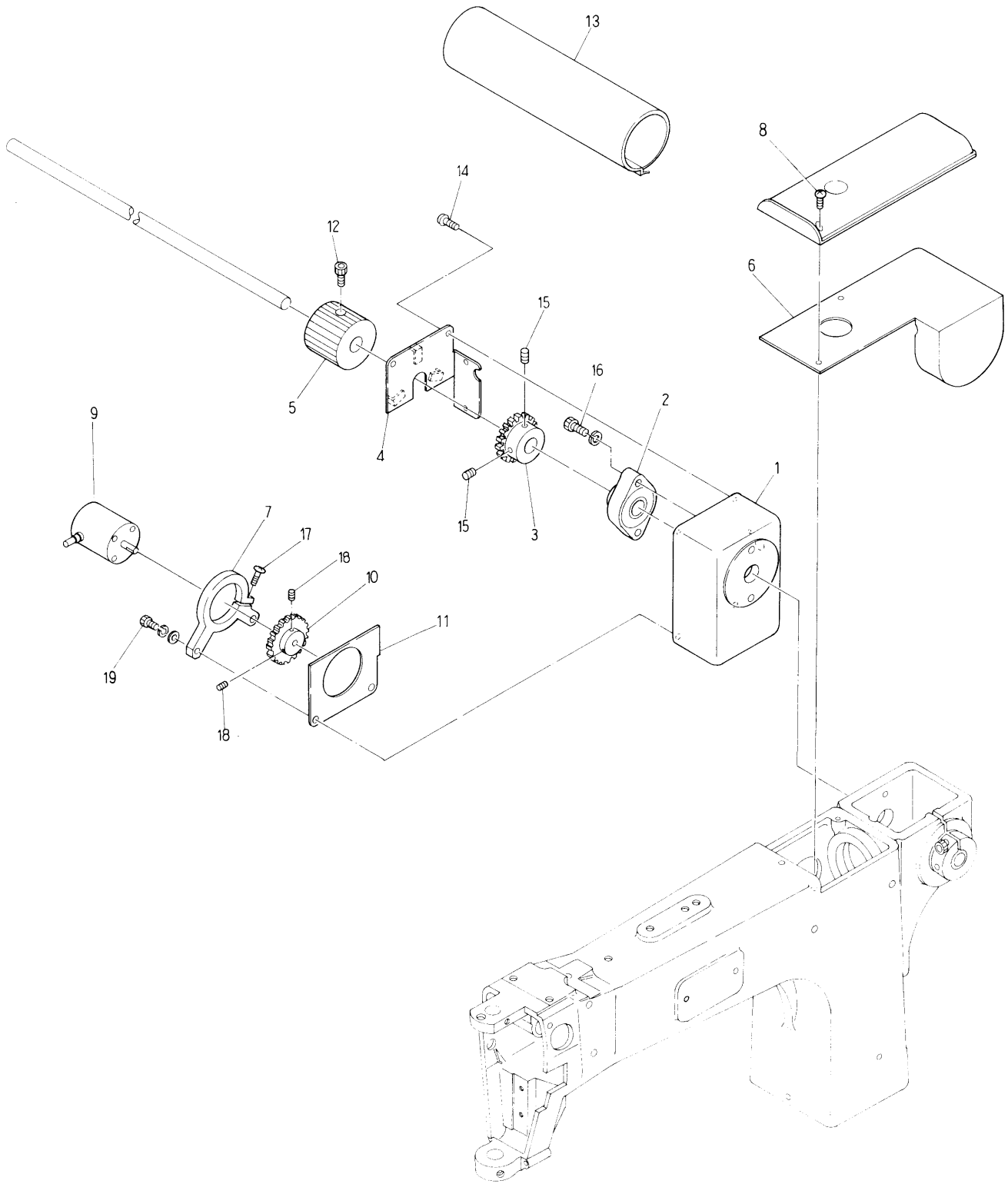


From the library of: Diamond Needle Corp

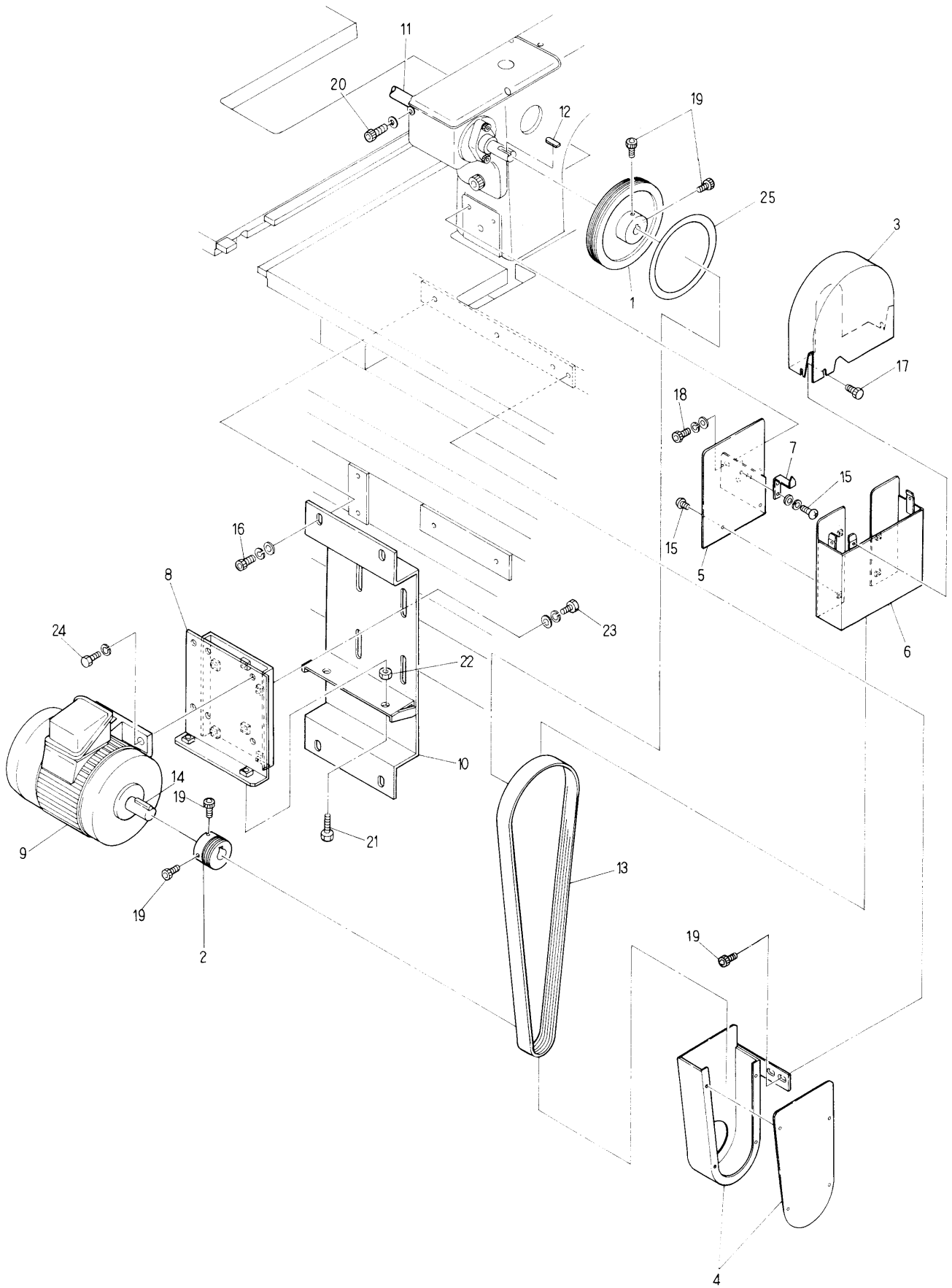
MODEL BEATME 802-YN
804
806
808



From the library of: Diamond Needle Corp



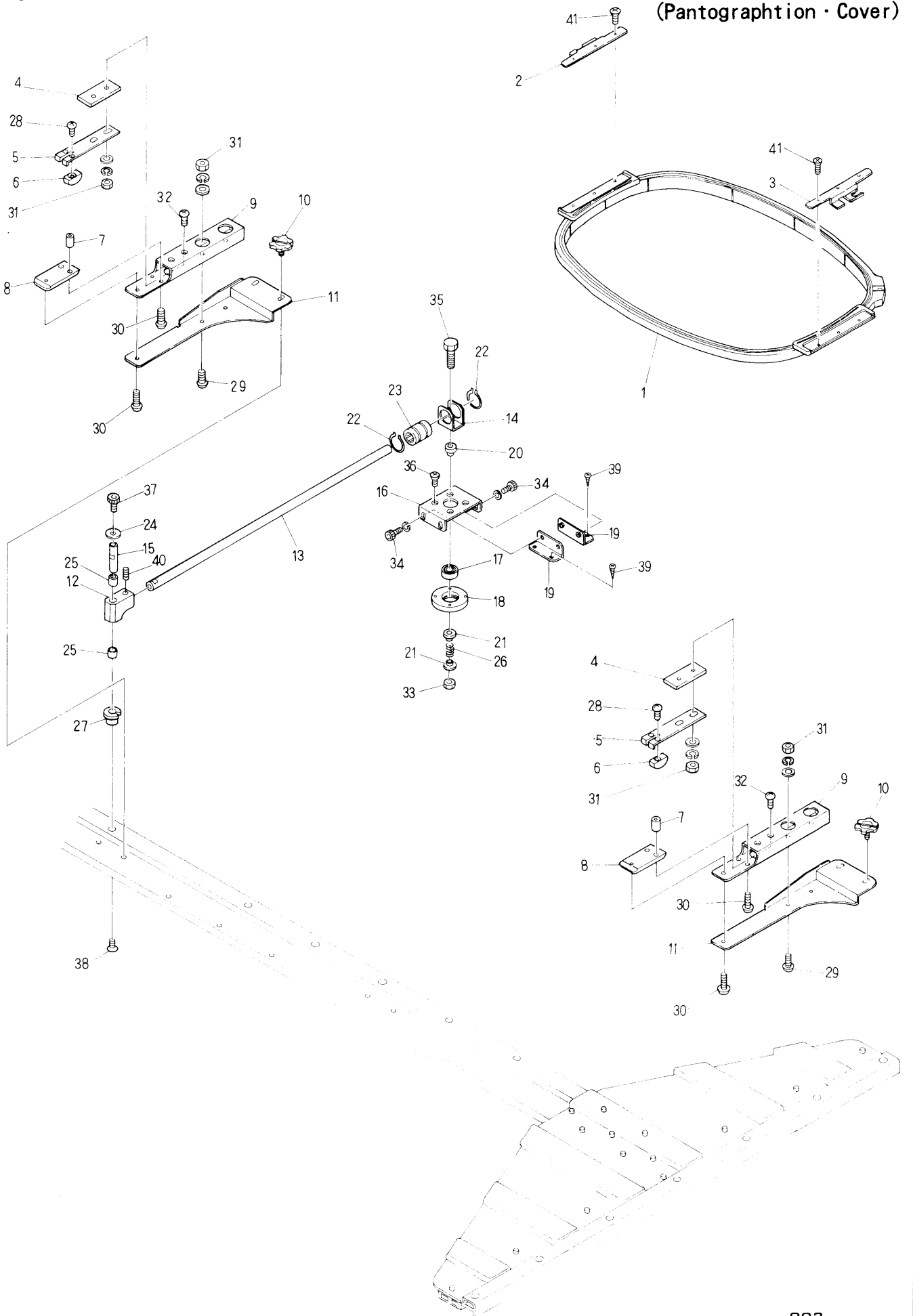
From the library of: Diamond Needle Corp



From the library of: Diamond Needle Corp

Barudan

⑳ Pantograph drive mechanism I
(Pantographion - Cover)



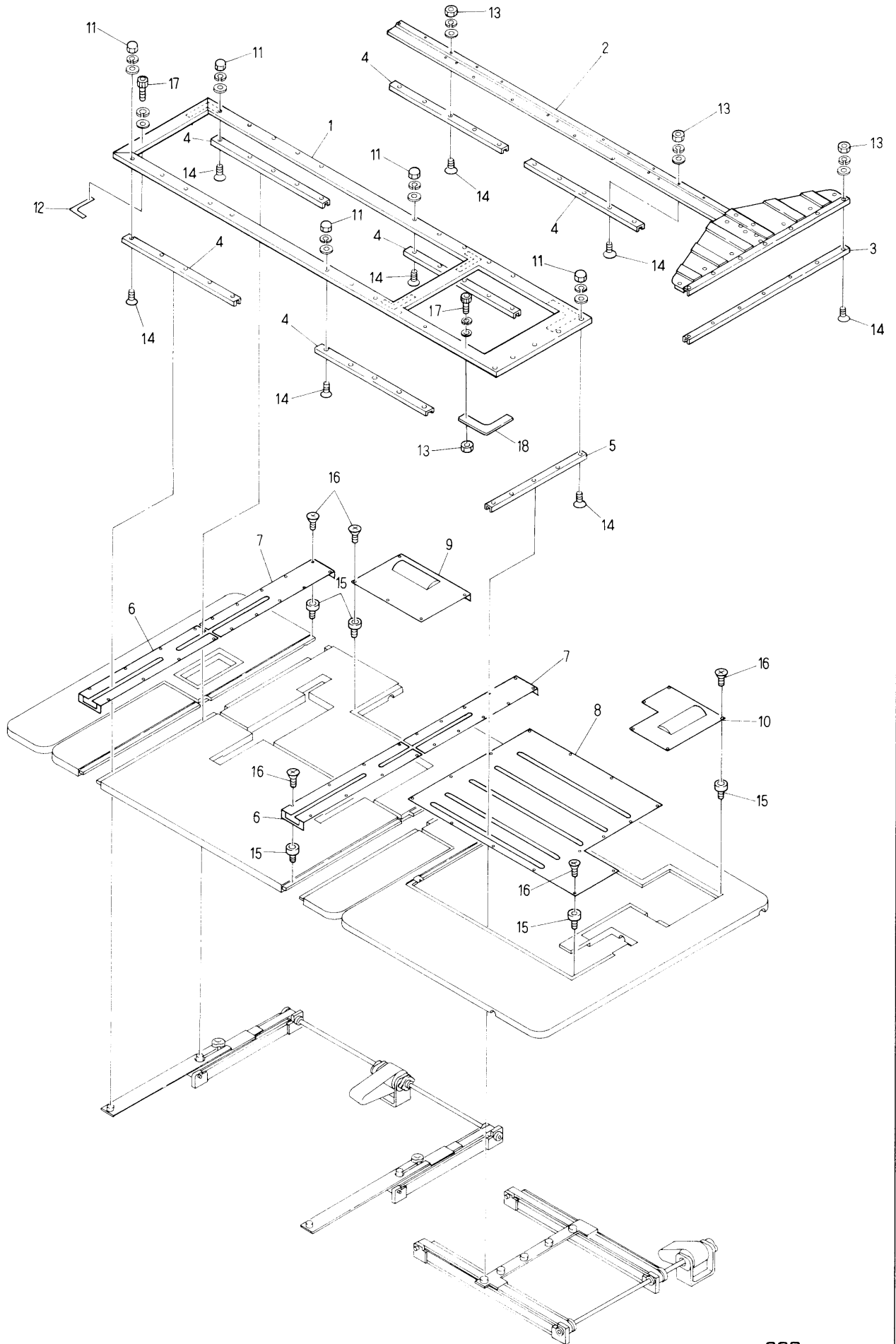
From the library of: Diamond Needle Corp

MODEL BEATME 902 904 906 908 -YN

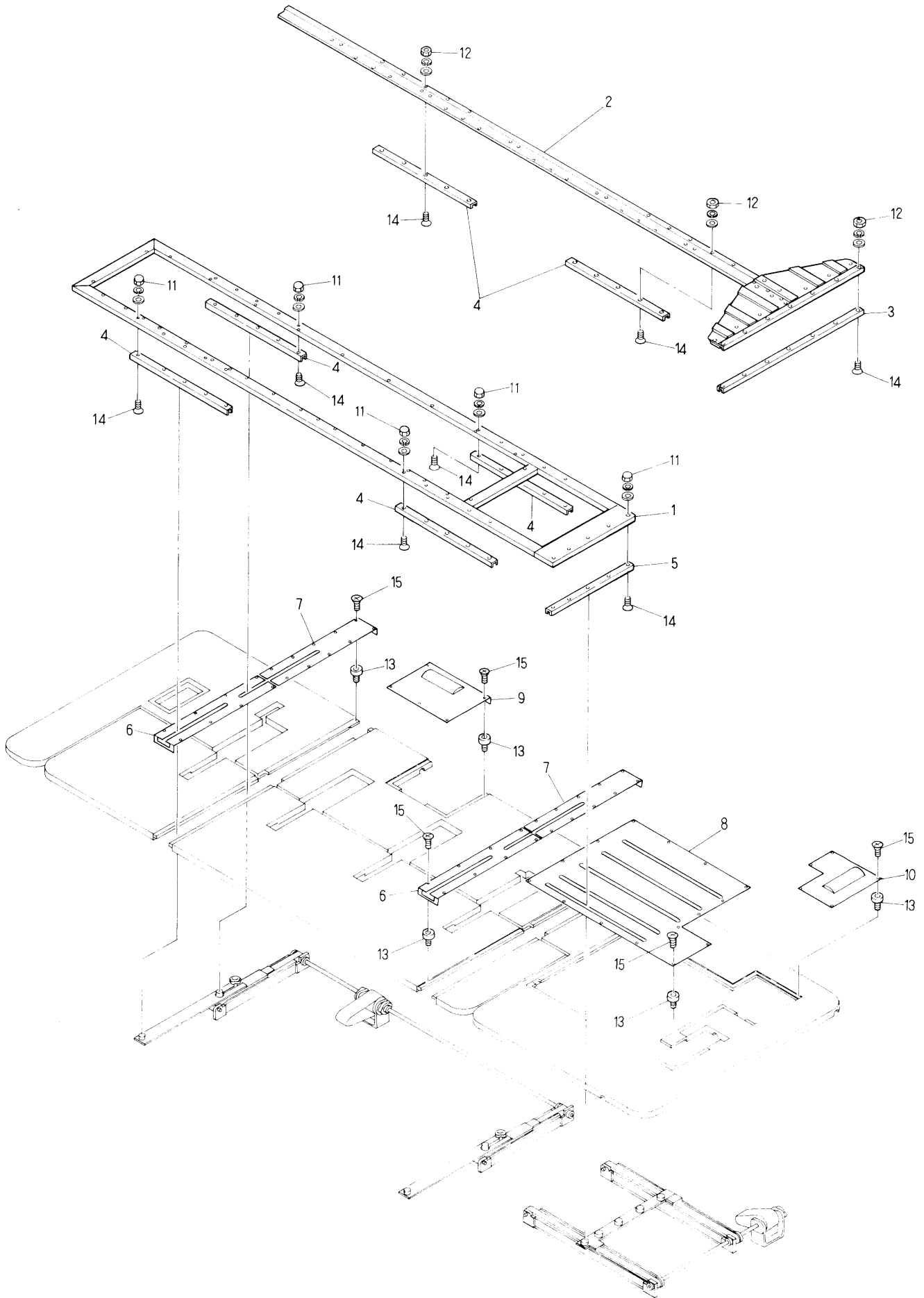
②⑩ Pantograph drive mechanism I (Pantograph · Cover) (N·YS Use)

ITEM	LIST No.	DESCRIPTION	Q'TY	REMARK
1	FR92300290A	Square pantograph 320×290	2	904...4 906...6 908...8
2	FR600528	Metal for square wood frame (No.1) R	2	904...4 906...6 908...8
3	FR600529	Metal for square wood frame (No.1) L	2	904...4 906...6 908...8
4	HS460200	Fixing spacer	3	904...5 906...7 908...9
5	HS460030	Frame fixing spring No.2	3	904...5 906...7 908...9
6	HS460050	Frame fixing block	6	904...10 906...14 908...18
7	HS460210	Frame fixing the position pin	6	904...10 906...14 908...18
8	KK460130	Frame slide plate	3	904...5 906...7 908...9
9	KK460050	Fixing base	3	904...5 906...7 908...9
10	HS730000	Knurling screw for pantograph	6	904...10 906...14 908...18
11	KK460061	Fixing stay	3	904...5 906...7 908...9
12	KK460070	Rotation block	2	904...3 906...4 908...5
13	KK460090	Pantograph set driving shaft	2	904...3 906...4 908...5
14	KK460040	Bush fixing bracket	2	904...3 906...4 908...5
15	KK460080	Rotation shaft B	2	904...3 906...4 908...5
16	KK460010	Pantograph set base (Upper)	2	904...3 906...4 908...5
17	A9010036	Bearing (6900ZZ)	2	904...3 906...4 908...5
18	KK460031	Bearing set plate	2	904...3 906...4 908...5
19	KK460000	Pantograph set base (Lower)	4	904...6 906...8 908...10
20	KK460020	Rotation shaft A	2	904...3 906...4 908...5
21	KK460120	Spring set plate	4	904...6 906...8 908...10
22	A9012064	C-Ring (For shaft)21	4	904...6 906...8 908...10
23	A9011131	Slide bush SM12GUU	2	904...3 906...4 908...5
24	A9012164	Thrust washer R-TW0815	2	904...3 906...4 908...5
25	A9011132	DU Bush MB0805	4	904...6 906...8 908...10
26	KK460140	Pantograph set base	4	904...3 906...4 908...5
27	A9012264	DU Bush (MB0808-15FDU)	2	904...3 906...4 908...5
28		Truss screw M3×3		
29		Truss screw M3×7		
30		Truss screw M3×5		
31		Hex. nut M3		
32		Truss screw M3×10		
33		U Nut M5		
34		Hex. socket bolt M5×10		
35		Hex. bolt M5×25		
36		Flush screw M4×10		
37		Hex. socket bolt M4×8		
38		Flush screw M4×12		
39		Bind tapping screw M4.5×24		
40		Hex. socket set screw M6×8		
41		Flush screw M3×6		

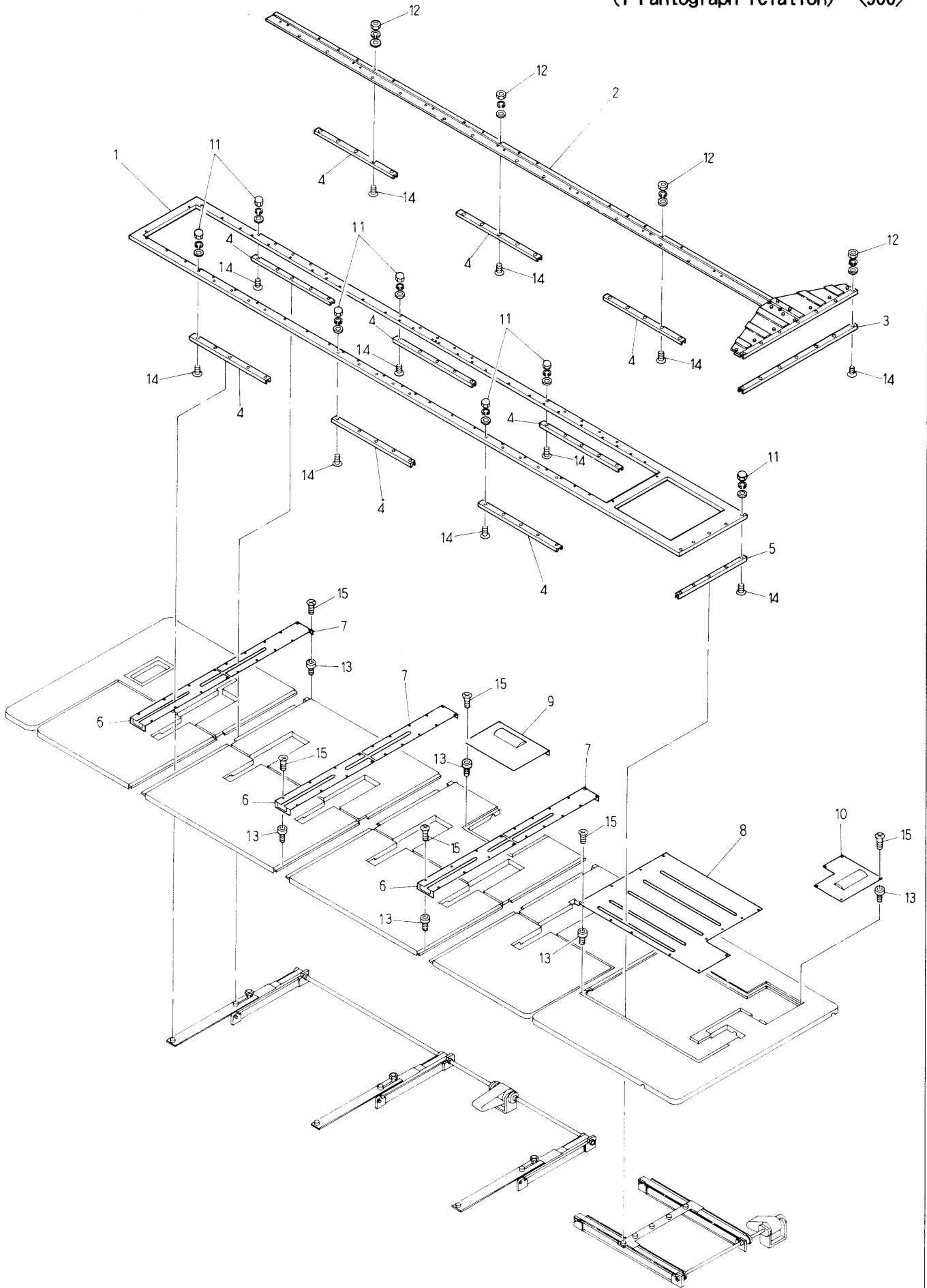
From the library of: Diamond Needle Corp



From the library of: Diamond Needle Corp



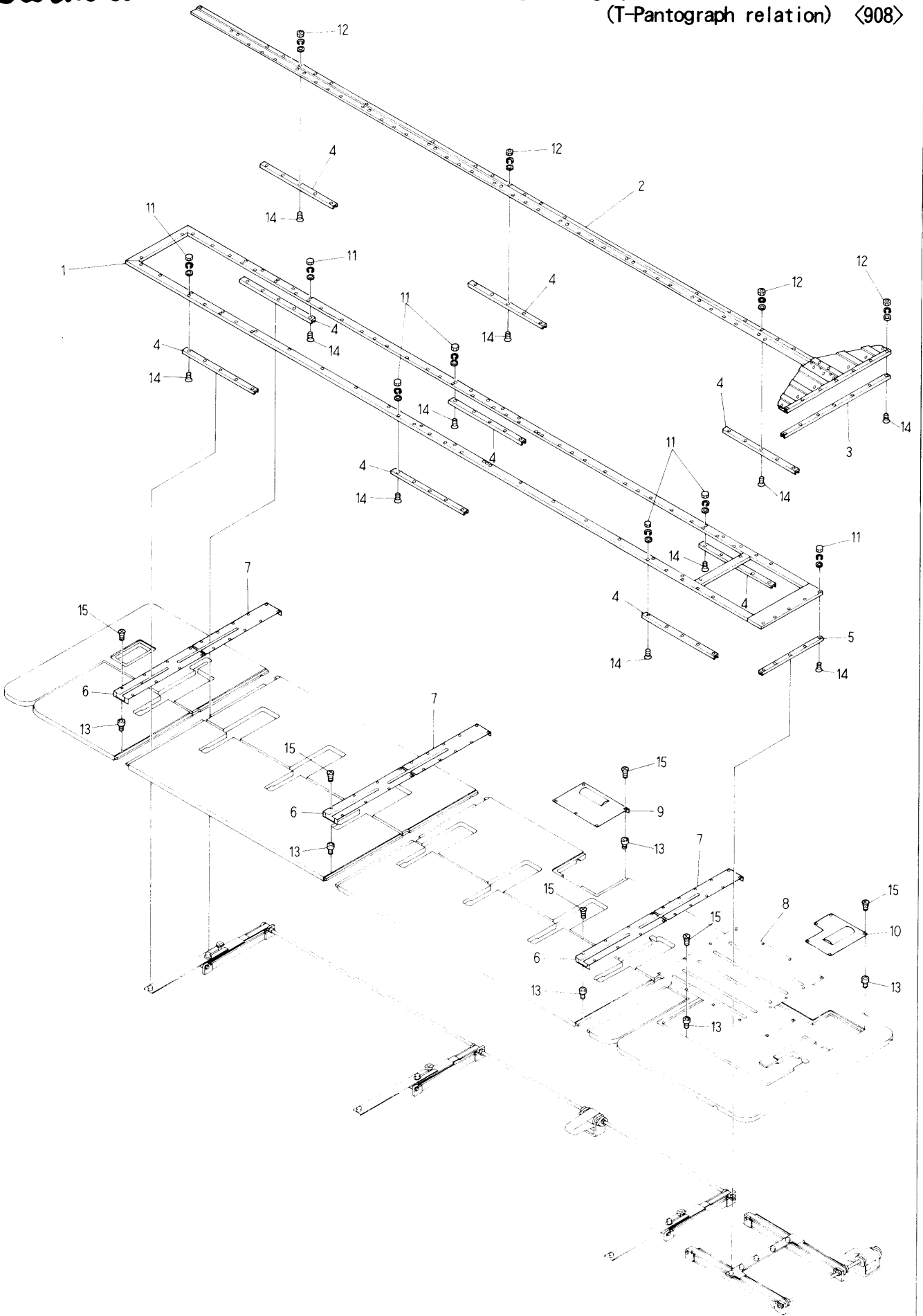
From the library of: Diamond Needle Corp



From the library of: Diamond Needle Corp

Barudan

②1 Pantograph drive mechanism II
(T-Pantograph relation) <908>

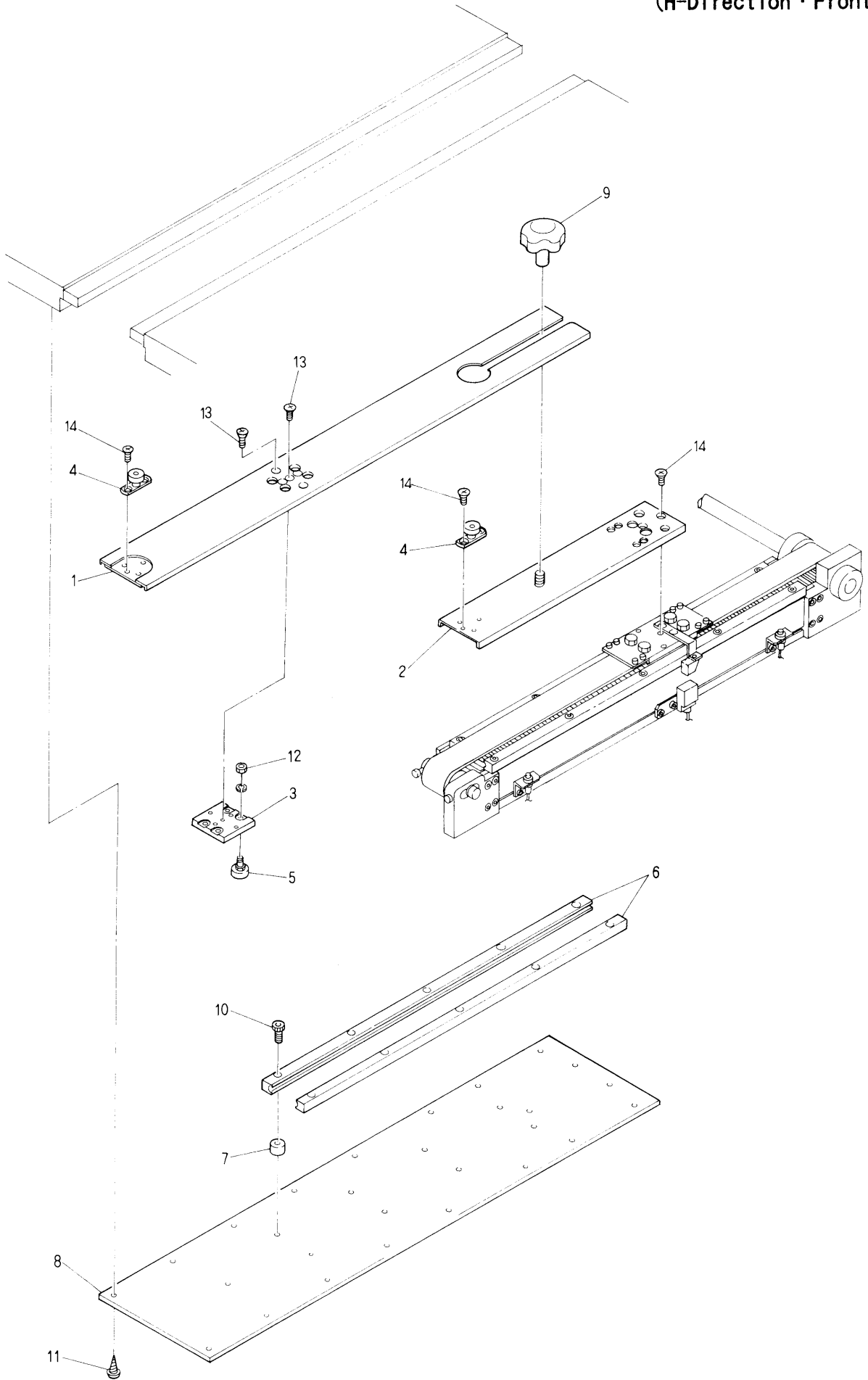


From the library of: Diamond Needle Corp

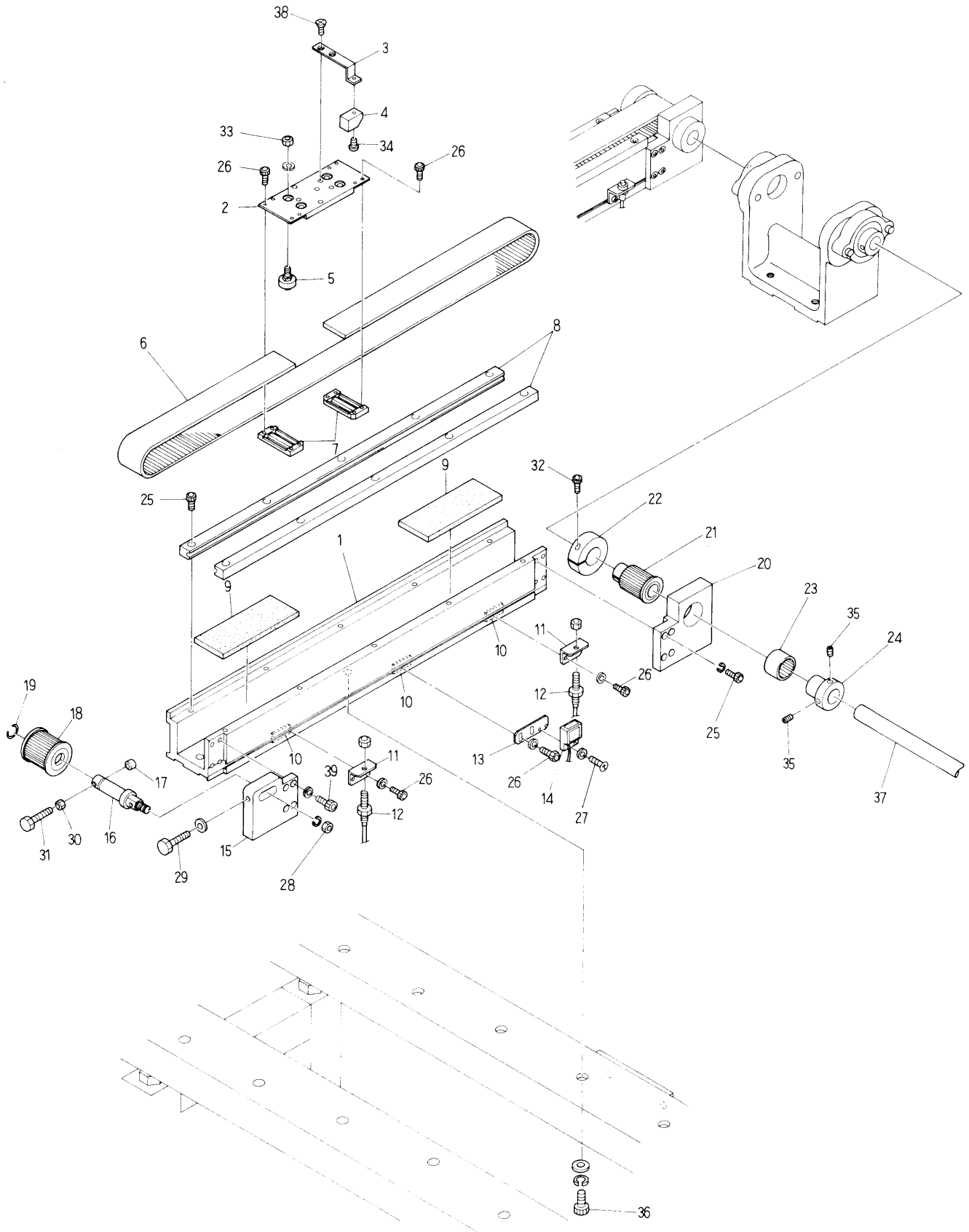
MODEL BEATME-YN

Barudan

②② Pantograph drive mechanism III
(H-Direction · Front)



From the library of: Diamond Needle Corp



From the library of: Diamond Needle Corp

②③ Pantograph drive mechanismIV(H-Direction · Rear) (N·YS use)

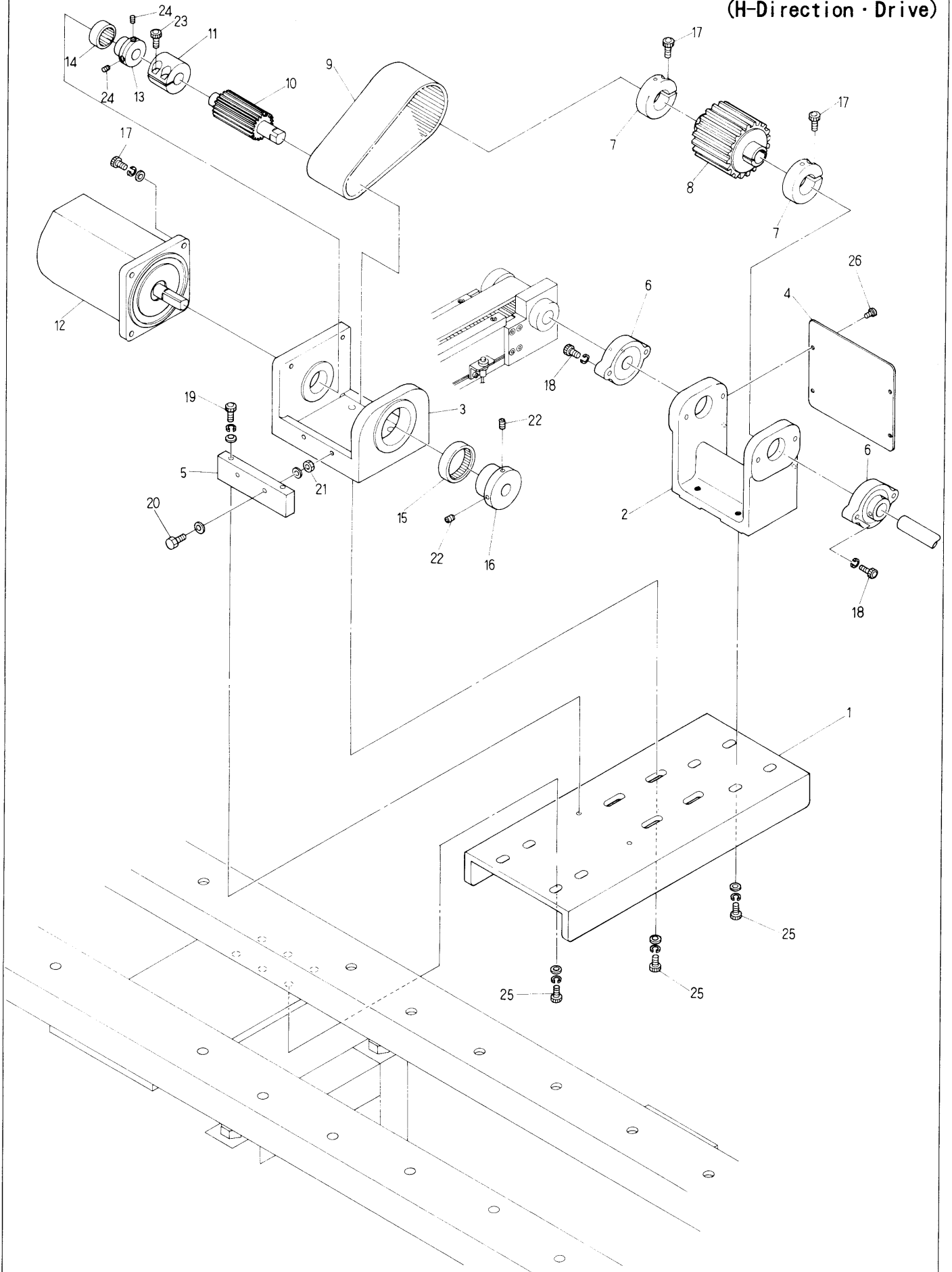
(R=H-Rail Q'TY)

ITEM	LIST No	DESCRIPTION	Q'TY	REMARK
1	KR480260	H-Guide rail base (Stroke 320)	R×1	
2	KR480240	H-Roller base (Rear)	R×1	
3	KR480160	H-Pantograph origin point magnet bracket	1	
4	A9052030	Magnet (M-102-02)	1	
5	HP482950	Roller pin a'ssy A	R×4	
6	KR480290	Timing belt T10-30-104	R×1	
7	KR480030	Timing belt set rack	R×2	
8	KK480140	V-Guide rail	R×2	
9	KN480061	Rail base felt (100×38×6)	R×2	
10	KU460270	Plate nut M3	3	
11	MT460240	RS-001 Bracket (V)	2	
12	A9052024	Switch RS-001	2	
13	KN450300	MH-601A Proximity switch fixing bracket	1	
14	A9052031	Magnet proximity switch (MH-601A)	1	
15	KR480060	H·V-Guide front pulley bracket	R×1	
16	HH481991	Timing pulley shaft	R×1	
17	HH482110	Pulley shaft bolt cap	R×1	
18	KR480001	Pantograph driving pulley (Front)	R×1	
19	A9012052	E-Ring φ10	R×1	
20	KR480050	H·V-Guide rear pulley bracket	R×1	
21	KR480011	Pantograph driving pulley (Rear)	R×1	
22	HH481980	Clamping φ19	R×1	
23	A9011110	Needle braring (HK20166)	R×1	
24	HH481970	Pulse motor connecting shaft collar	R×1	
25		Hex. socket bolt M4×15		
26		Hex. socket bolt M3×6		
27		Truss screw M3×10		
28		Hex. nut M8		
29		Hex. bolt M4×25		
30		Hex. nut M4		
31		Hex. bolt M4×35		
32		Hex. socket bolt M5×18		
33		Hex. nut M5		
34		Truss screw M3×6		
35		Hex. socket set screw M5×8		
36		Hex. socket bolt M8×22 (With plain washer spring washer)		
37	KR470010	H-Pulse motor connecting shaft (BEATME-902 L=1114)	1	
	KR470030	H Pulse motor connecting shaft (BEATME-904 L=1633)	1	
	KR470000	H-Pulse motor connecting shaft (BEATME-906 L=2153)	1	
	KR470020	H-Pulse motor connecting shaft (BEATME-908 L=3193)	1	
38		Truss screw M4×8		
39		Hex. socket bolt M4×18		

From the library of: Diamond Needle Corp

Barudan

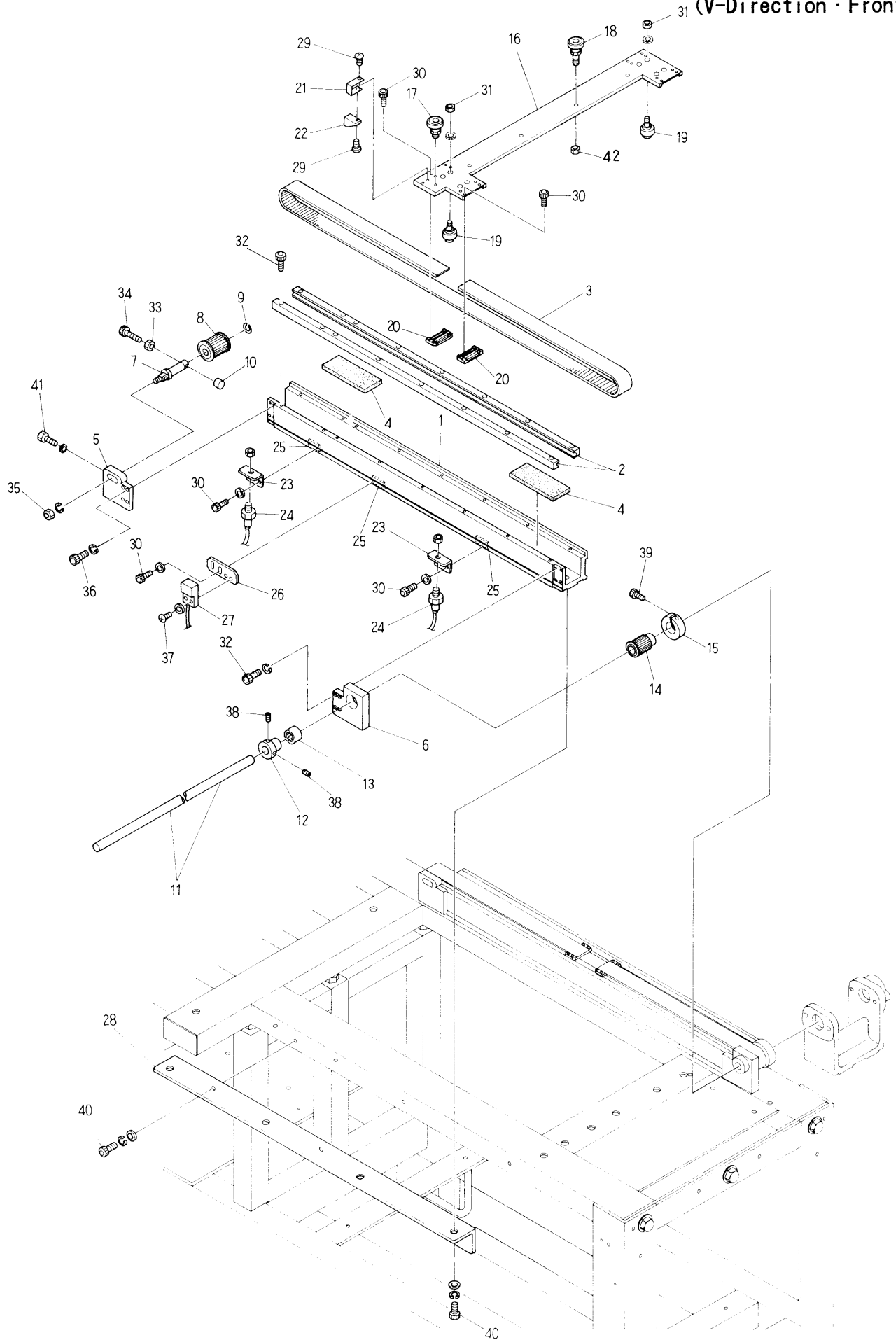
②④ Pantograph drive mechanism V
(H-Direction · Drive)



From the library of: Diamond Needle Corp

Barudan

25 Pantograph drive mechanism VI
(V-Direction · Front)



From the library of: Diamond Needle Corp

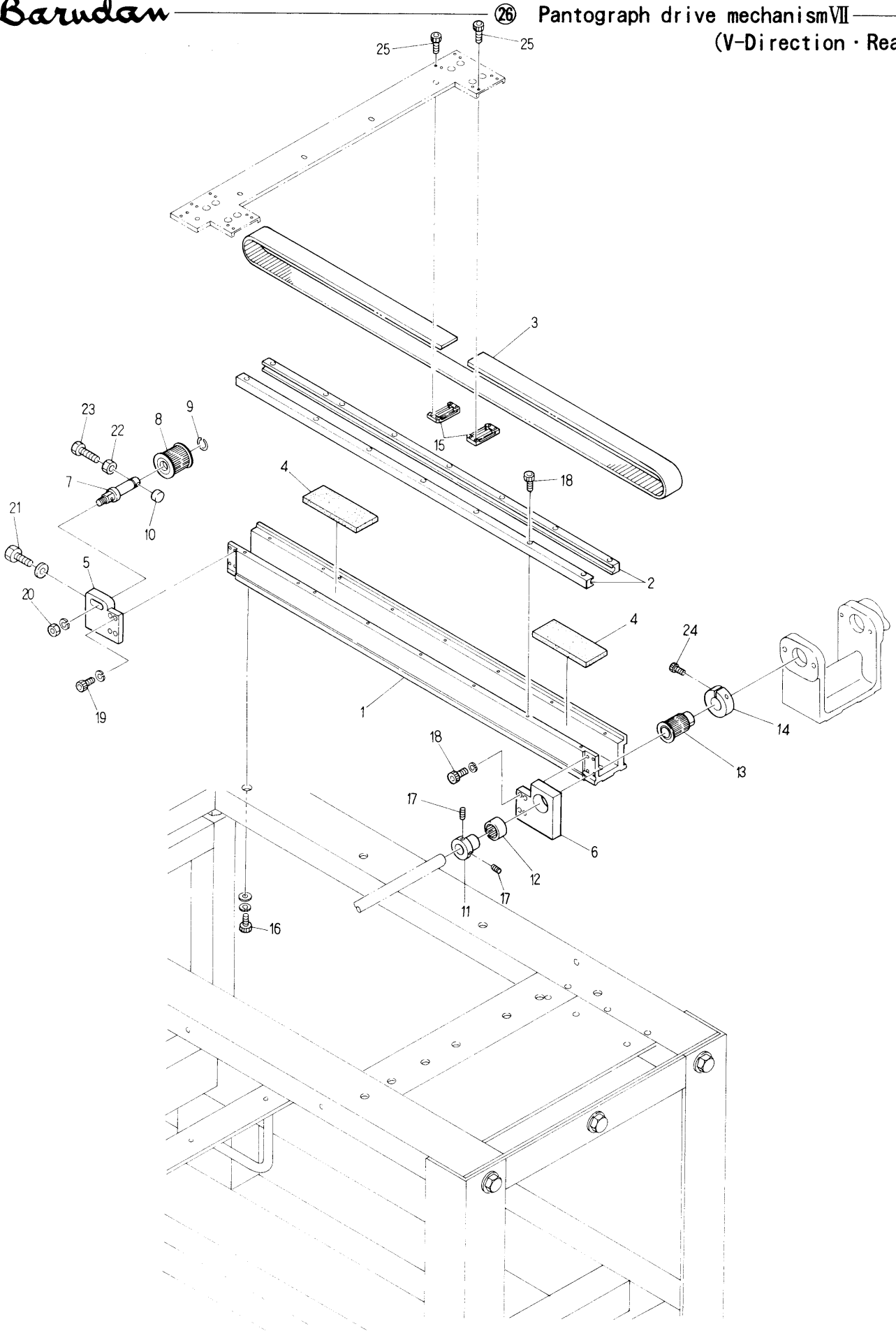
②⑤ Pantograph drive mechanismVI(V-Direction・Front) (YN・YS use)

ITEM	LIST No	DESCRIPTION	Q'TY	REMARK
1	KR480210	V-Guide rail base	1	
2	KN483450	V-Guide rail (L=660)	2	
3	KR480280	Timing belt (T10-30-153)	1	
4	KN480061	Rail base felt (100×38×6)	2	
5	KR480060	H・V-Guide front pulley bracket	1	
6	KR480050	H・V-Guide front pulley bracket	1	
7	HH481991	Timing pulley shaft	1	
8	KR480000	Pantograph driving pulley (Front)	1	
9	A9012052	E-Ring φ10	1	
10	HH482110	Pulley shaft bolt cap	1	
11	KR490000	V-Pulse motor shaft	1	
12	HH481970	Pulse motor connecting shaft collar	1	
13	A9011110	Needle bearing (HK2016)	1	
14	KR480011	Pantograph driving pulley (Rear)	1	
15	HH481980	φ19 Clamping	1	
16	KR480220	V-Roller base	1	
17	HP483370	Guide rail bearing pin a'ssy	1	
18	HP483111	Guide rail bearing pin a'ssy B	4	
19	HP482950	Roller pin a'ssy A	8	
20	KR480030	Timing belt set rack	2	
21	KN450311	V-Pantograph origin point magnet bracket	1	
22	A9052030	Magnet M-102A-02	1	
23	MT460240	RS-001 Bracket (V側)	2	
24	A9052024	Switch RS-001	2	
25	KU460270	Plate nut M3	3	
26	KN450300	MH-601A Proximity switch fixing bracket	1	
27	A9052031	Magnet proximity switch (MH-601A)	1	
28	KR480070	V-Guide rail base bracket	1	
29		Truss screw M3×6		
30		Hex. socket bolt M3×6		
31		Hex. nut M5		
32		Hex. socket bolt M4×15		
33		Hex. nut M4		
34		Hex. socket bolt M4×15		
35		Hex. nut M4		
36		Hex. bolt M4×35		
37		Hex. nut M8		
38		Hex. socket bolt M4×18		
39		Truss screw M3×10		
40		Hex. socket set screw M5×8		
41		Hex. socket bolt M5×18		
42		Hex. socket bolt M8×20		
43		Hex. bolt M1×25		
44		Hex. nut M6		

From the library of: Diamond Needle Corp

Barudan

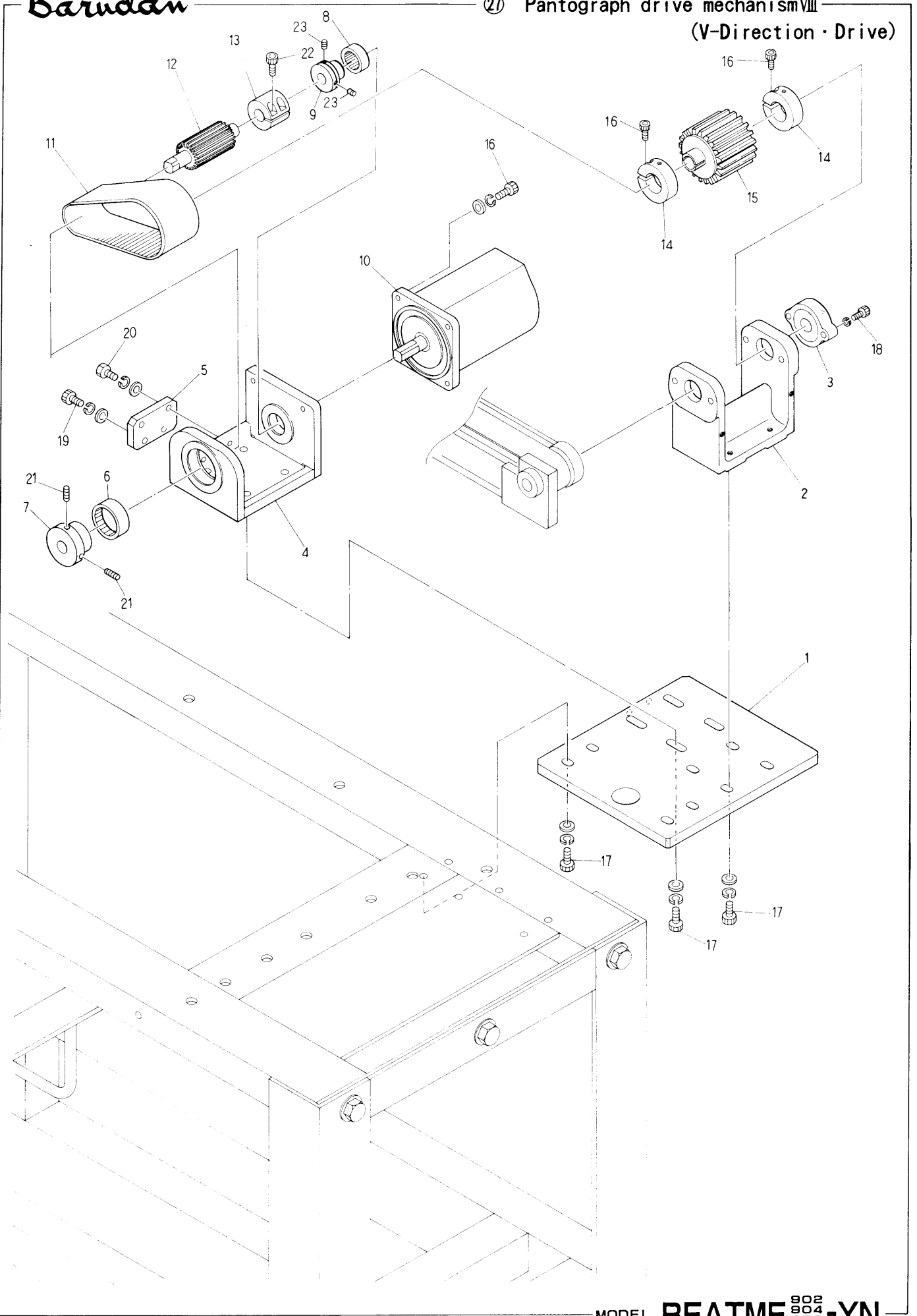
26 Pantograph drive mechanism VII
(V-Direction · Rear)



From the library of: Diamond Needle Corp

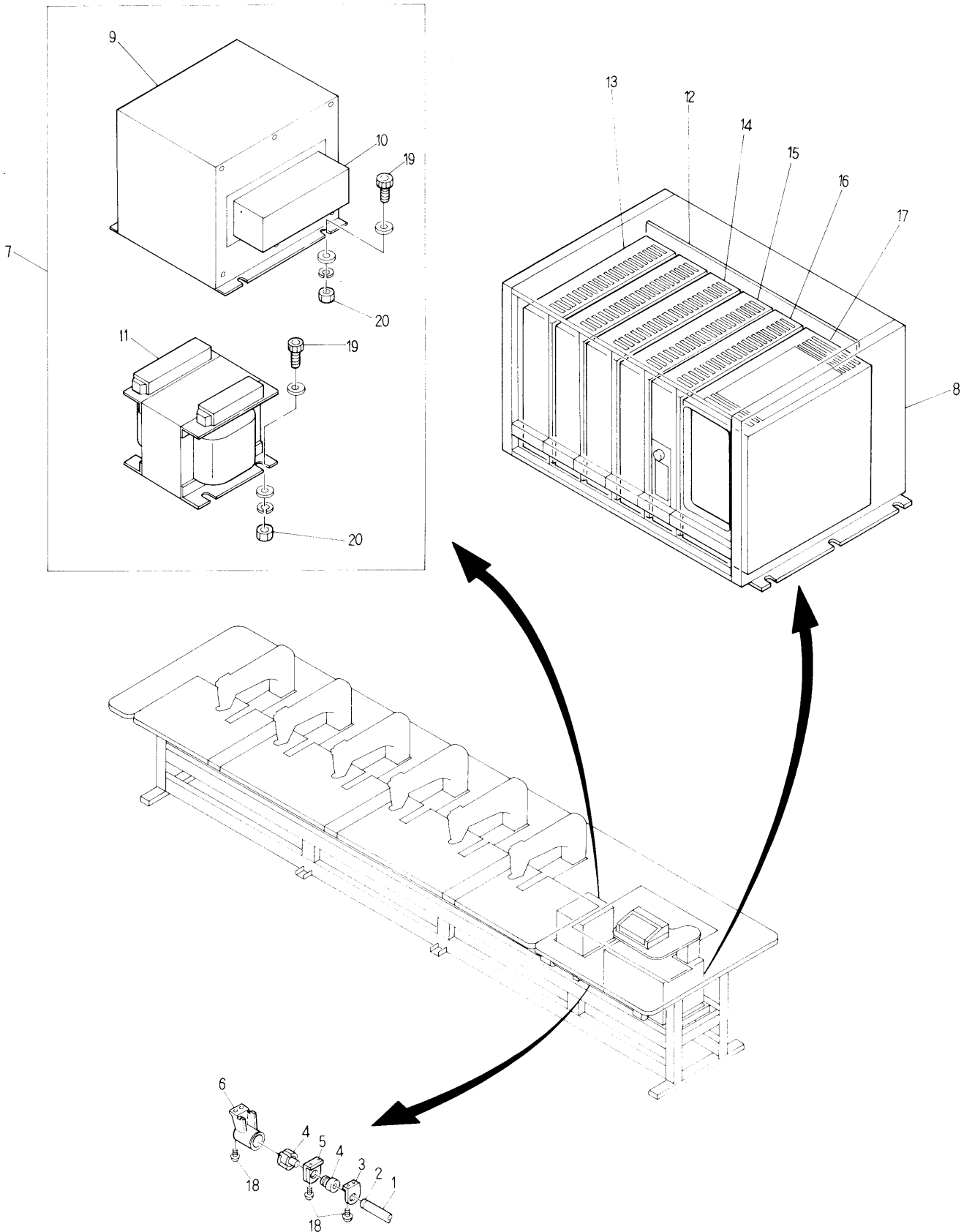
Barudan

②⑦ Pantograph drive mechanism VIII
(V-Direction Drive)

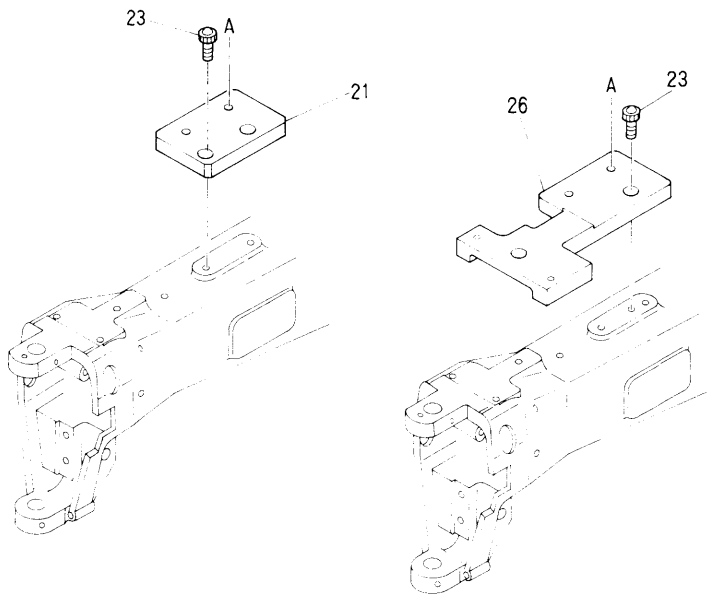
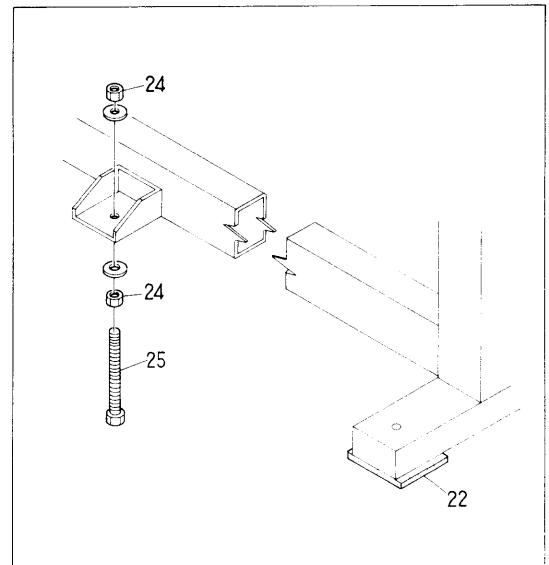
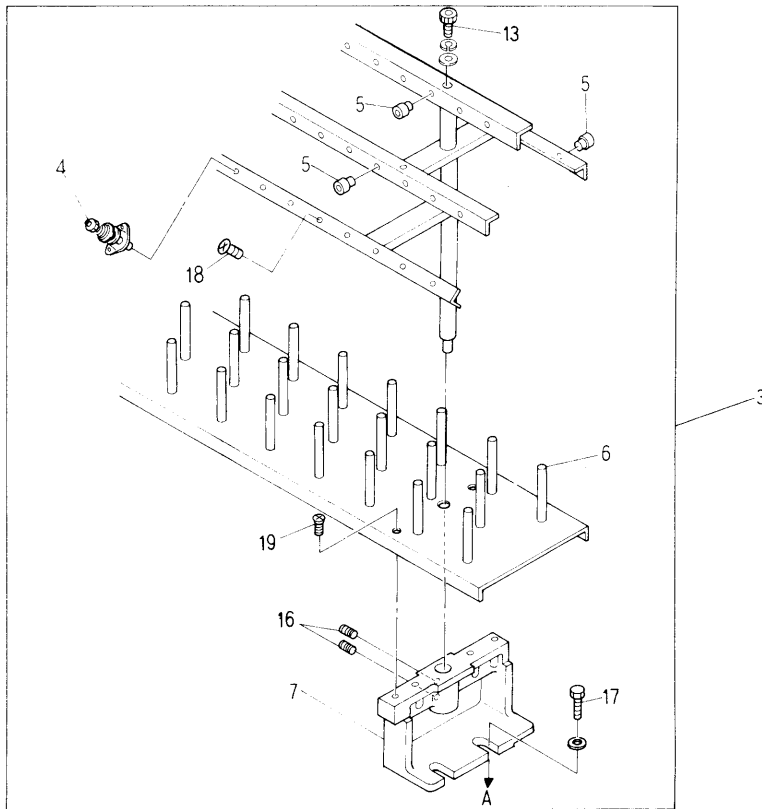
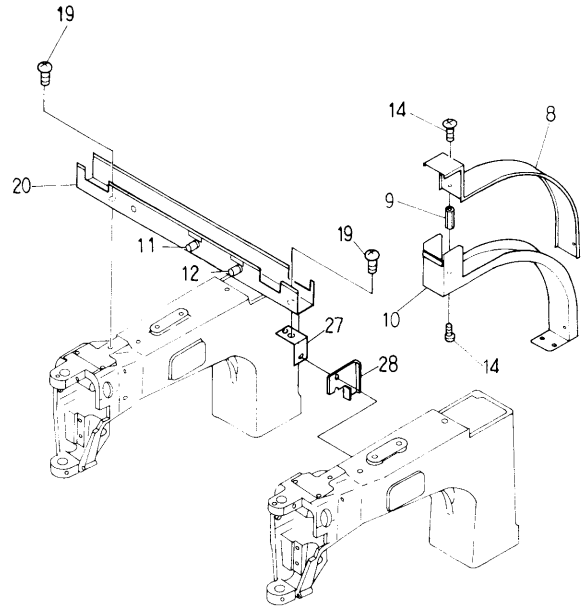
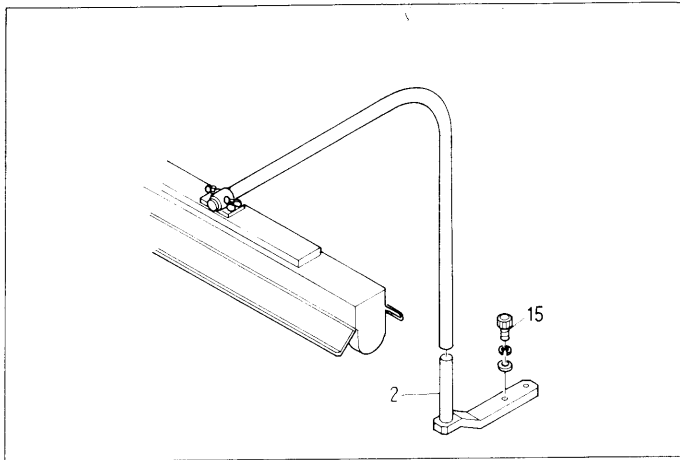


From the library of: Diamond Needle Corp

MODEL BEATME 880042-YN
880008



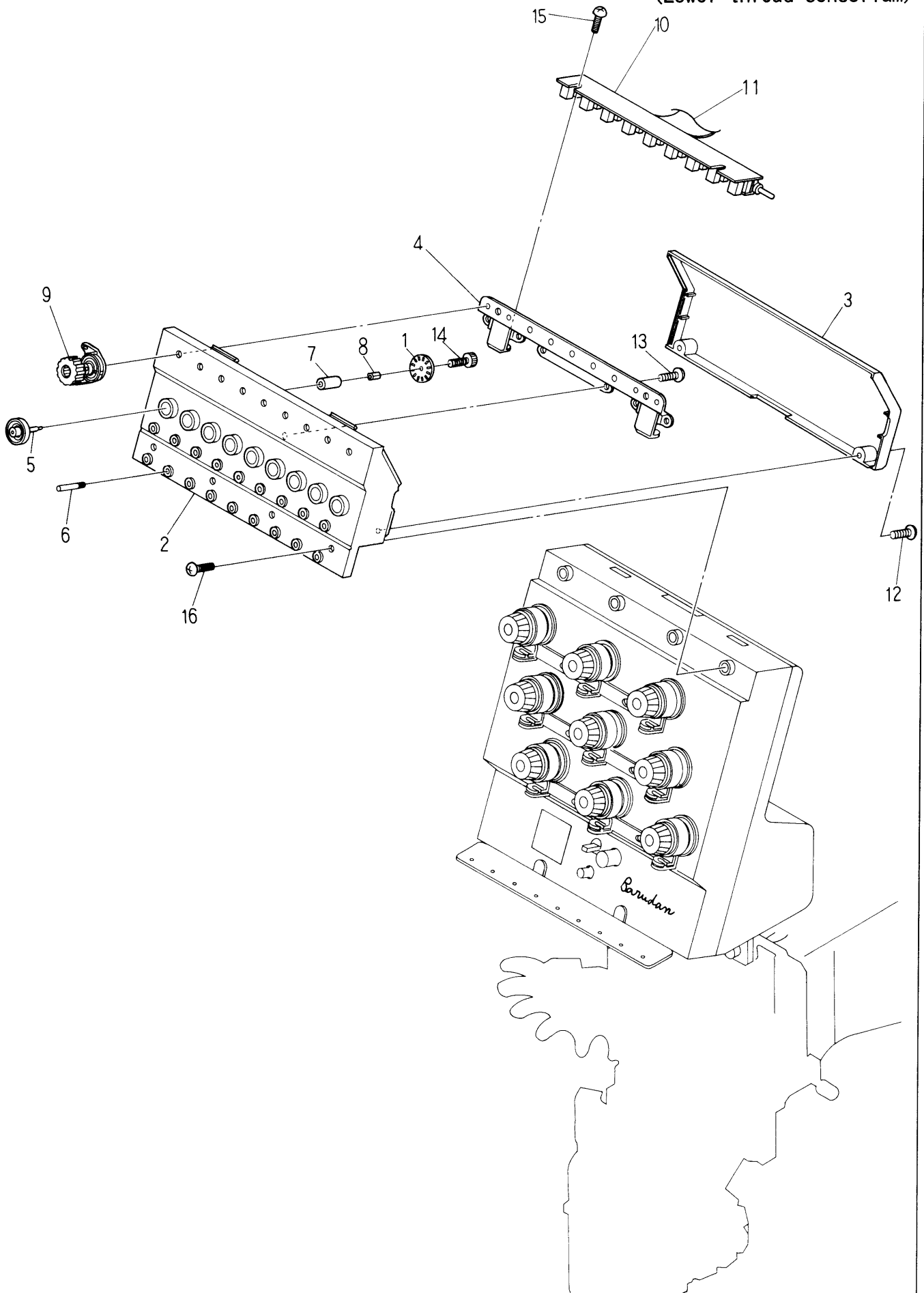
From the library of: Diamond Needle Corp



From the library of: Diamond Needle Corp

Barudan

③ Thread guide mechanism
(Lower thread sensorium)

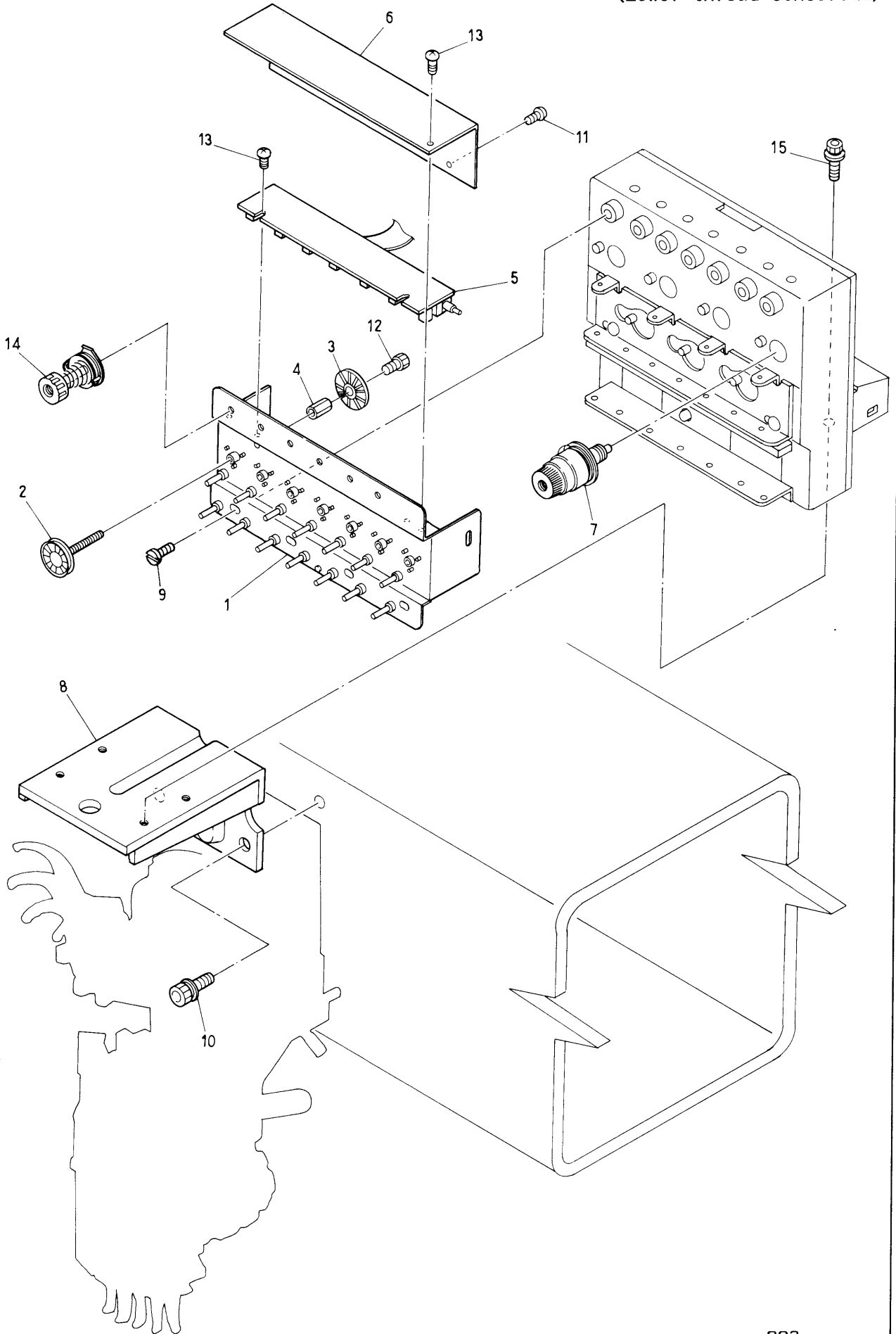


From the library of: Diamond Needle Corp

MODEL BEATME 902-YN
904
906
908

Barudan

③ Thread guide mechanism
(Lower thread sensorium)



From the library of: Diamond Needle Corp

MODEL BEATME 902-YS
904
906
908

I N D E X

L I S T No.	PAGE No.	ITEM	L I S T No.	PAGE No.	ITEM
1AKR025205201	4	1	A 9 0 1 0 0 3 6	7 2	1 7
1AKR045205201	6	1	A 9 0 1 0 0 5 6	8 6	1 5
1AKR065205201	8	1	A 9 0 1 0 0 5 6	9 2	6
1AKR085205201	1 0	1	A 9 0 1 1 0 2 1	2 8	7
1BKR025205200	4	2	A 9 0 1 1 0 2 1	3 0	7
1BKR045205200	6	2	A 9 0 1 1 0 2 1	3 2	2 1
1BKR065205200	8	2	A 9 0 1 1 0 2 1	3 4	2 1
1BKR085205200	1 0	2	A 9 0 1 1 0 2 2	3 2	2 3
1FKR025205200	7 4	1	A 9 0 1 1 0 2 2	3 4	2 3
1FKR045205200	7 6	1	A 9 0 1 1 0 2 3	3 2	2 0
1FKR065205200	7 8	1	A 9 0 1 1 0 2 3	3 4	2 0
1FKR085205200	8 0	1	A 9 0 1 1 1 0 7	2 0	7
1KKR025205201	4	3	A 9 0 1 1 1 1 0	8 4	2 3
1KKR045205201	6	3	A 9 0 1 1 1 1 0	8 8	1 3
1KKR065205201	8	3	A 9 0 1 1 1 1 0	9 0	1 2
1KKR085205201	1 0	3	A 9 0 1 1 1 1 1	8 6	1 4
1PKR02520	6 8	1 3	A 9 0 1 1 1 1 1	9 2	8
1PKR04520	6 8	1 3	A 9 0 1 1 1 1 5	3 6	9
1PKR06520	6 8	1 3	A 9 0 1 1 1 1 5	3 8	9
1PKR08520	6 8	1 3	A 9 0 1 1 1 3 1	7 2	2 3
1UKR02520	9 8	2 0	A 9 0 1 1 1 3 2	7 2	2 5
1UKR04520	9 8	2 0	A 9 0 1 1 1 5 2	2 8	6
1UKR06520	9 8	2 0	A 9 0 1 1 1 5 2	3 0	6
1UKR08520	9 8	2 0	A 9 0 1 2 0 0 2	5 8	5
1WKR025205200	7 4	2	A 9 0 1 2 0 0 7	2 2	3 4
1WKR045205200	7 6	2	A 9 0 1 2 0 0 7	2 4	2 3
1WKR065205200	7 8	2	A 9 0 1 2 0 0 7	2 6	2 6
1WKR085205200	8 0	2	A 9 0 1 2 0 0 7	1 0 2	9
2AKR025205201	4	4	A 9 0 1 2 0 2 7	2 4	1 6
2AKR045205201	6	4	A 9 0 1 2 0 3 2	4	2 1
2AKR065205201	8	4	A 9 0 1 2 0 3 2	6	2 1
2AKR085205201	1 0	4	A 9 0 1 2 0 3 2	8	2 1
2BKR025205201	1 2	1	A 9 0 1 2 0 3 2	1 0	2 1
2BKR045205200	1 4	1	A 9 0 1 2 0 5 1	4 0	2 0
2BKR065205200	1 6	1	A 9 0 1 2 0 5 1	4 2	2 0
2BKR085205200	1 8	1	A 9 0 1 2 0 5 2	8 4	1 9
2CKR902380	9 8	3	A 9 0 1 2 0 5 2	8 8	9
2CKR904380	9 8	3	A 9 0 1 2 0 5 2	9 0	9
2CKR906380	9 8	3	A 9 0 1 2 0 5 3	3 2	3 1
2CKR908380	9 8	3	A 9 0 1 2 0 5 3	3 4	3 1
A 9 0 1 0 0 1 7	2 2	5	A 9 0 1 2 0 5 6	5 4	8
A 9 0 1 0 0 2 1	6 0	7	A 9 0 1 2 0 5 6	5 6	8
A 9 0 1 0 0 2 1	6 2	7	A 9 0 1 2 0 6 4	7 2	2 2
A 9 0 1 0 0 3 3	6 0	4	A 9 0 1 2 1 1 4	2 6	2 7
A 9 0 1 0 0 3 3	6 2	4	A 9 0 1 2 1 6 2	6 0	8

From the library of: Diamond Needle Corp

I N D E X

L I S T No.	PAGE No.	ITEM	L I S T No.	PAGE No.	ITEM
A 9 0 1 2 1 6 2	6 2	8	A 9 0 5 2 0 3 1	8 8	2 7
A 9 0 1 2 1 6 4	2 8	2 9	A 9 0 5 2 0 3 2	9 8	1 2
A 9 0 1 2 1 6 4	3 0	2 9	A 9 0 5 2 0 3 6	9 8	1 1
A 9 0 1 2 1 6 4	7 2	2 4	A 9 0 5 4 0 4 1	6 0	2 0
A 9 0 1 2 1 9 0	3 6	4	A 9 0 5 4 0 4 1	6 2	2 0
A 9 0 1 2 1 9 0	3 8	4	A 9 0 5 6 0 0 8	2 6	2
A 9 0 1 2 2 3 1	2 0	8	A 9 0 5 6 0 1 2	2 6	1
A 9 0 1 2 2 3 3	6 0	3	A 9 0 5 6 0 1 3	5 4	1 3
A 9 0 1 2 2 3 3	6 2	3	A 9 0 5 6 0 1 3	5 6	1 3
A 9 0 1 2 2 5 0	1 0	2 0	A 9 0 5 6 0 1 8	5 2	1
A 9 0 1 2 2 5 0	2 0	6	A 9 0 5 6 0 2 0	4 0	6
A 9 0 1 2 2 5 5	2 0	1 1	A 9 0 5 6 0 2 0	4 2	6
A 9 0 1 2 2 5 9	4	2 0	A 9 0 6 5 0 2 6	5 8	1 8
A 9 0 1 2 2 5 9	6	2 0	EAN05830A4	9 6	8
A 9 0 1 2 2 5 9	8	2 0	E A N 0 5 8 A 2	9 6	7
A 9 0 1 2 2 6 3	8 2	9	E A N 0 5 8 A 3	9 4	1 0
A 9 0 1 2 2 6 4	7 2	2 7	E A N 0 5 8 A 5	9 4	1
A 9 0 1 2 2 6 6	1 2	8	E A N 0 6 1 A 2	9 6	7
A 9 0 1 2 2 6 6	1 4	8	E A N 0 6 3 A 2	9 6	7
A 9 0 1 2 2 6 6	1 6	8	E B N 0 1 6 9 0	9 6	1 7
A 9 0 1 2 2 6 6	1 8	8	E B N 0 1 7 0 0	9 6	1 6
A 9 0 1 2 2 6 7	6 4	7	E B N 0 1 7 1 0	9 6	1 5
A 9 0 1 2 2 6 7	6 6	7	E B N 0 1 7 2 0	9 6	1 4
A 9 0 1 2 2 9 1	3 2	1 7	E B N 0 1 7 3 0	9 6	1 3
A 9 0 1 2 2 9 1	3 4	1 7	E B N 0 1 7 5 0	9 6	1 2
A 9 0 1 2 3 2 0	7 0	1 7	E B N 0 1 7 8 0	9 4	1 8
A 9 0 1 3 0 6 6	2 6	2 1	E B N 0 1 7 9 0	9 4	1 5
A 9 0 1 3 0 6 6	5 2	1 8	E B N 0 1 8 1 0	8 6	1 2
A 9 0 1 4 0 5 1	4 0	1 9	E B N 0 1 8 1 0	9 2	1 0
A 9 0 1 4 0 5 1	4 2	1 9	E B N 0 1 8 2 0	8 6	1 2
A 9 0 1 4 0 5 5	3 2	1 9	E B N 0 1 8 2 0	9 2	1 0
A 9 0 1 4 0 5 5	3 4	1 9	E B N 0 1 9 4 0	9 4	1 1
A 9 0 1 4 0 6 3	2 2	3 8	E B N 0 1 9 5 0	9 4	1 2
A 9 0 2 0 1 4 5	8 6	9	E B N 0 2 0 9 0	9 4	1 3
A 9 0 2 0 1 4 5	9 2	1 1	E B N 0 2 1 8 4	4 4	1 2
A 9 0 2 0 2 0 0	7 0	1 3	E B N 0 2 1 8 4	4 6	1 2
A 9 0 5 1 0 3 3	6 4	2	E B N 0 2 1 8 4	4 8	1 2
A 9 0 5 1 0 3 3	6 6	2	E B N 0 2 1 8 4	5 0	1 2
A 9 0 5 2 0 0 5	5 8	1 2	E B N 0 2 1 8 5	6 0	1 8
A 9 0 5 2 0 2 4	8 4	1 2	E B N 0 2 1 8 5	6 2	1 8
A 9 0 5 2 0 2 4	8 8	2 4	E B Y 0 0 9 1 0	1 0 2	5
A 9 0 5 2 0 2 8	5 2	1 1	E B Y 0 0 9 2 0	1 0 2	5
A 9 0 5 2 0 3 0	8 4	4	F R 6 0 0 5 2 8	7 2	2
A 9 0 5 2 0 3 0	8 8	2 2	F R 6 0 0 5 2 9	7 2	3
A 9 0 5 2 0 3 1	8 4	1 4	FR92300290A	7 2	1

I N D E X

L I S T No.	PAGE No.	ITEM	L I S T No.	PAGE No.	ITEM
HB 2 3 0 1 4 0	3 2	2 2	HB 2 4 0 0 9 0	4 2	2 1
HB 2 3 0 1 4 0	3 4	2 2	HB 2 4 0 1 1 0	4 0	1 7
HB 2 3 0 1 6 0	2 8	2 0	HB 2 4 0 1 1 0	4 2	1 7
HB 2 3 0 1 6 0	3 0	2 0	HB 2 4 0 2 6 0	4 6	1 1
HB 2 3 0 1 7 0	3 2	2 4	HB 2 4 0 2 6 0	5 0	1 1
HB 2 3 0 1 7 0	3 4	2 4	HB 2 4 0 2 7 0	4 6	1 1
HB 2 3 0 2 7 0	2 8	2 1	HB 2 4 0 2 7 0	5 0	1 1
HB 2 3 0 2 7 0	3 0	2 1	HB 2 4 0 3 1 0	4 0	8
HB 2 3 0 3 7 2	3 6	1 0	HB 2 4 0 3 1 0	4 2	8
HB 2 3 0 3 7 2	3 8	1 0	HB 2 4 0 3 3 0	4 0	1 2
HB 2 3 0 3 8 3	3 6	5	HB 2 4 0 3 3 0	4 2	1 2
HB 2 3 0 3 8 3	3 8	5	HB 2 4 0 3 4 0	4 0	1 1
HB 2 3 0 3 9 0	3 6	3	HB 2 4 0 3 4 0	4 2	1 1
HB 2 3 0 3 9 0	3 8	3	HB 5 4 0 0 4 0	1 0 2	1
HB 2 3 0 4 0 1	3 6	1	HB 5 4 0 0 5 0	1 0 2	1
HB 2 3 0 4 0 1	3 8	1	HB 5 4 0 0 6 0	1 0 2	6
HB 2 3 0 4 1 4	3 6	1 2	HB 7 9 0 0 3 0	4 4	3 6
HB 2 3 0 4 1 4	3 8	1 2	HB 7 9 0 0 3 0	4 6	3 2
HB 2 3 0 4 2 0	3 6	1 1	HB 7 9 0 0 3 0	4 8	1 3
HB 2 3 0 4 2 0	3 8	1 1	HB 7 9 0 0 3 0	5 0	3 0
HB 2 3 0 4 6 0	4 0	5	HH 3 3 0 8 1 0	6 0	1 2
HB 2 3 0 5 6 0	4 0	7	HH 3 3 0 8 1 0	6 2	1 2
HB 2 3 0 5 6 0	4 2	7	HH 4 8 1 9 7 0	8 4	2 4
HB 2 3 0 5 8 0	4 0	1 3	HH 4 8 1 9 7 0	8 8	1 2
HB 2 3 0 5 8 0	4 2	1 3	HH 4 8 1 9 7 0	9 0	1 1
HB 2 3 0 5 9 0	3 6	2	HH 4 8 1 9 8 0	8 4	2 2
HB 2 3 0 5 9 0	3 8	2	HH 4 8 1 9 8 0	8 8	1 5
HB 2 3 0 6 3 0	4 2	3	HH 4 8 1 9 8 0	9 0	1 4
HB 2 3 0 6 5 0	2 8	3 5	HH 4 8 1 9 9 1	8 4	1 6
HB 2 3 0 6 5 0	3 0	3 5	HH 4 8 1 9 9 1	8 8	7
HB 2 3 0 7 5 0	2 8	2 2	HH 4 8 1 9 9 1	9 0	7
HB 2 3 0 7 5 0	3 0	2 2	HH 4 8 2 1 1 0	8 4	1 7
HB 2 4 0 0 2 0	4 0	1 4	HH 4 8 2 1 1 0	8 8	1 0
HB 2 4 0 0 2 0	4 2	1 4	HH 4 8 2 1 1 0	9 0	1 0
HB 2 4 0 0 3 0	4 0	1 5	HH 7 1 0 1 0 0	9 8	1
HB 2 4 0 0 3 0	4 2	1 5	HH 7 1 0 3 0 0	9 8	1
HB 2 4 0 0 4 0	4 0	9	HP 2 3 1 3 9 0	2 2	1 3
HB 2 4 0 0 4 0	4 2	9	HP 2 4 1 1 1 2	4 6	6
HB 2 4 0 0 5 0	4 0	1 0	HP 2 4 1 1 1 2	5 0	6
HB 2 4 0 0 5 0	4 2	1 0	HP 2 4 1 1 2 2	4 6	6
HB 2 4 0 0 7 0	4 0	1 8	HP 2 4 1 1 2 2	5 0	6
HB 2 4 0 0 7 0	4 2	1 8	HP 2 4 1 1 5 0	4 6	2
HB 2 4 0 0 8 0	4 0	2 2	HP 2 4 1 1 5 0	5 0	2
HB 2 4 0 0 8 0	4 2	2 2	HP 2 4 1 1 6 0	4 6	7
HB 2 4 0 0 9 0	4 0	2 1	HP 2 4 1 1 6 0	5 0	7

I N D E X

L I S T No.	PAGE No.	ITEM	L I S T No.	PAGE No.	ITEM
HP 2 4 1 1 7 0	4 6	3	HT 2 3 0 1 0 0	2 8	1 2
HP 2 4 1 1 7 0	5 0	3	HT 2 3 0 1 0 0	3 0	1 2
HP 2 4 1 1 8 0	4 6	3	HT 2 3 0 1 1 0	3 2	1 5
HP 2 4 1 1 8 0	5 0	3	HT 2 3 0 1 1 0	3 4	1 5
HP 2 4 1 3 7 1	4 6	8	HT 2 3 0 1 3 0	3 2	3
HP 2 4 1 3 7 1	5 0	8	HT 2 3 0 1 3 0	3 4	3
HP 2 4 1 3 8 1	4 6	8	HT 2 3 0 1 4 1	3 2	9
HP 2 4 1 3 8 1	5 0	8	HT 2 3 0 1 4 1	3 4	9
HP 2 4 1 4 3 0	9 8	4	HT 2 3 0 1 5 1	3 2	4
HP 2 4 1 4 3 0	1 0 2	1 0	HT 2 3 0 1 5 1	3 4	4
HP 2 4 1 4 4 0	4 6	5	HT 2 3 0 1 8 0	3 2	2 8
HP 2 4 1 4 4 0	5 0	5	HT 2 3 0 1 8 0	3 4	2 8
HP 2 4 1 4 5 0	4 6	4	HT 2 3 0 1 9 0	3 2	2
HP 2 4 1 4 5 0	5 0	4	HT 2 3 0 1 9 0	3 4	2
HP 2 4 1 4 6 0	4 6	4	HT 2 3 0 2 0 1	3 6	2 1
HP 2 4 1 4 6 0	5 0	4	HT 2 3 0 2 0 1	3 8	2 1
HP 2 4 1 4 7 0	4 6	1 0	HT 2 3 0 2 2 0	4 0	4
HP 2 4 1 4 7 0	5 0	1 0	HT 2 3 0 2 2 0	4 2	4
HP 2 4 1 4 8 0	4 6	1 0	HT 2 3 0 2 5 1	3 2	8
HP 2 4 1 4 8 0	5 0	1 0	HT 2 3 0 2 5 1	3 4	8
HP 3 1 3 6 9 0	7 0	2 5	HT 2 3 0 6 2 0	4 2	5
HP 3 2 1 1 4 0	2 2	4 3	HT 2 3 0 8 0 0	3 2	1
HP 3 2 1 1 4 0	8 6	6	HT 2 3 0 8 0 0	3 4	1
HP 3 2 1 1 4 0	9 2	3	HT 2 4 0 0 0 0	2 8	2
HP 4 8 2 9 5 0	8 2	5	HT 2 4 0 0 1 0	2 8	1 8
HP 4 8 2 9 5 0	8 4	5	HT 2 4 0 0 2 0	4 4	9
HP 4 8 2 9 5 0	8 8	1 9	HT 2 4 0 0 2 0	4 8	9
HP 4 8 3 1 1 1	8 8	1 8	HT 2 4 0 0 6 0	4 4	1 0
HP 4 8 3 3 7 0	8 8	1 7	HT 2 4 0 0 6 0	4 8	1 0
HP 7 1 0 7 9 1	9 8	7	HT 2 4 0 1 0 0	1 0 0	1
HS 4 6 0 0 3 0	7 2	5	HT 2 4 0 1 2 0	4 4	1
HS 4 6 0 0 5 0	7 2	6	HT 2 4 0 1 2 0	4 8	1
HS 4 6 0 2 0 0	7 2	4	HT 2 4 0 1 3 0	4 4	2
HS 4 6 0 2 1 0	7 2	7	HT 2 4 0 1 4 0	4 4	3
HS 7 3 0 0 0 0	7 2	1 0	HT 2 4 0 1 5 0	4 4	4
HT 2 3 0 0 4 1	3 2	7	HT 2 4 0 1 5 0	4 8	4
HT 2 3 0 0 4 1	3 4	7	HT 2 4 0 1 6 0	4 4	5
HT 2 3 0 0 5 1	3 2	5	HT 2 4 0 1 6 0	4 8	5
HT 2 3 0 0 5 1	3 4	5	HT 2 4 0 1 7 0	4 4	6
HT 2 3 0 0 6 2	3 2	1 6	HT 2 4 0 1 7 0	4 8	6
HT 2 3 0 0 6 2	3 4	1 6	HT 2 4 0 1 8 0	4 4	7
HT 2 3 0 0 8 0	2 8	1 5	HT 2 4 0 1 8 0	4 8	7
HT 2 3 0 0 8 0	3 0	1 5	HT 2 4 0 2 1 0	4 4	1 5
HT 2 3 0 0 9 0	2 8	1 1	HT 2 4 0 2 1 0	4 8	1 5
HT 2 3 0 0 9 0	3 0	1 1	HT 2 4 0 2 2 0	4 4	1 6

From the library of: Diamond Needle Corp

I N D E X

L I S T No.	PAGE No.	ITEM	L I S T No.	PAGE No.	ITEM
H T 2 4 0 2 2 0	4 8	1 6	K B 2 3 0 0 9 0	2 8	5
H T 2 4 0 2 3 0	4 4	1 7	K B 2 3 0 0 9 0	3 0	5
H T 2 4 0 2 3 0	4 8	1 7	K B 2 3 0 1 0 0	2 8	8
H T 2 4 0 2 4 0	4 4	1 8	K B 2 3 0 1 0 0	3 0	8
H T 2 4 0 2 4 0	4 8	1 8	K B 2 3 0 1 1 0	2 8	9
H T 2 4 0 2 5 0	1 0 0	2	K B 2 3 0 1 1 0	3 0	9
H T 2 4 0 2 7 0	1 0 0	3	K B 2 3 0 1 6 1	2 8	1
H T 2 4 0 2 8 0	1 0 0	4	K B 2 3 0 1 6 1	3 0	1
H T 2 4 0 2 9 0	1 0 0	5	K B 2 3 0 1 7 0	4 0	3
H T 2 4 0 3 0 0	1 0 0	6	K B 2 4 0 0 1 0	2 8	1 4
H T 2 4 0 3 1 0	1 0 0	7	K B 2 4 0 0 1 0	3 0	1 4
H T 2 4 0 3 2 0	4 4	1 4	K B 2 4 0 0 2 1	2 8	3
H T 2 4 0 3 2 0	4 8	1 4	K B 2 4 0 0 2 1	3 0	3
H T 2 4 0 3 3 0	4 4	1 9	K B 2 4 0 0 3 0	4 0	2
H T 2 4 0 3 3 0	4 8	1 9	K B 2 4 0 0 3 0	4 2	2
H T 2 4 0 3 4 0	1 0 0	9	K B 2 4 0 0 4 0	4 0	1 6
H T 2 4 0 5 0 0	3 0	2	K B 2 4 0 0 4 0	4 2	1 6
H T 2 4 0 5 1 0	3 0	1 8	K B 2 4 0 0 5 1	4 4	1 3
H T 2 4 0 5 3 0	4 6	1	K B 2 4 0 0 5 1	4 6	1 3
H T 2 4 0 5 3 0	5 0	1	K B 2 4 0 0 6 0	4 6	1 6
H T 2 4 0 5 3 0	1 0 2	7	K B 2 4 0 0 7 0	4 6	1 6
H T 2 7 0 0 0 1	5 4	1 4	K B 2 4 0 1 0 0	4 6	1 5
H T 2 7 0 0 1 0	5 4	2 1	K B 2 5 0 0 2 0	4 4	2 1
H T 2 7 0 0 1 0	5 6	2 1	K B 2 5 0 0 2 0	4 6	1 7
H T 2 7 0 0 2 0	5 4	1 8	K B 2 5 0 0 2 0	4 8	2 1
H T 2 7 0 0 2 0	5 6	1 8	K B 2 5 0 0 2 0	5 0	1 7
H T 2 7 0 0 3 0	5 4	2 0	K B 2 5 0 0 3 0	4 4	2 2
H T 2 7 0 0 4 0	5 4	1 5	K B 2 5 0 0 3 0	4 6	1 8
H T 2 7 0 0 4 0	5 6	1 5	K B 2 5 0 0 3 0	4 8	2 2
H T 2 7 0 0 6 1	5 4	2 8	K B 2 5 0 0 3 0	5 0	1 8
H T 2 7 0 0 6 1	5 6	2 8	K B 2 5 0 0 4 0	4 4	2 3
H T 2 7 0 1 4 0	5 6	2 0	K B 2 5 0 0 4 0	4 6	1 9
H T 2 7 0 1 5 0	5 6	1 4	K B 2 5 0 0 4 0	4 8	2 3
K B 2 1 0 1 6 0	2 2	2 5	K B 2 5 0 0 4 0	5 0	1 9
K B 2 1 0 1 7 0	4 0	1	K B 2 5 0 0 5 0	4 4	2 5
K B 2 1 0 1 7 0	4 2	1	K B 2 5 0 0 5 0	4 6	2 1
K B 2 3 0 0 1 0	2 2	2 8	K B 2 5 0 0 5 0	4 8	2 5
K B 2 3 0 0 3 0	2 2	3 1	K B 2 5 0 0 6 0	4 4	2 6
K B 2 3 0 0 5 0	2 2	3 3	K B 2 5 0 0 6 0	4 6	2 2
K B 2 3 0 0 6 0	3 6	8	K B 2 5 0 0 6 0	4 8	2 6
K B 2 3 0 0 6 0	3 8	8	K B 2 5 0 0 6 0	5 0	1 5
K B 2 3 0 0 7 0	3 6	7	K B 2 7 0 0 2 0	2 6	2 5
K B 2 3 0 0 7 0	3 8	7	K C 1 1 0 9 1 0	4	1 3
K B 2 3 0 0 8 0	3 6	6	K C 1 1 0 9 1 0	6	1 3
K B 2 3 0 0 8 0	3 8	6	K C 1 1 0 9 1 0	8	1 3

From the library of: Diamond Needle Corp

I N D E X

L I S T No.	PAGE No.	ITEM	L I S T No.	PAGE No.	ITEM
K C 1 1 0 9 1 0	1 0	1 3	K C 4 5 0 9 2 0	7 4	1 8
K C 1 1 0 9 7 0	9 8	2 2	K C 5 3 0 2 3 0	9 6	5
K C 2 2 0 2 1 0	2 4	1 9	K C 5 3 0 2 4 0	9 6	3
K C 2 2 0 6 5 0	2 4	1 5	K F 2 2 0 1 3 0	2 2	1 1
K C 2 2 0 6 5 0	2 6	2 3	K F 2 2 0 2 3 0	2 4	1 0
K C 2 5 0 4 7 1	2 4	1 7	K F 2 2 0 2 7 1	2 4	4
K C 2 5 0 4 8 2	2 4	1 8	K F 2 2 0 2 9 0	2 4	1 1
K C 2 5 1 3 3 0	2 2	2 7	K F 2 2 0 4 1 0	2 4	8
K C 2 7 0 1 0 1	5 4	2 2	K F 2 2 0 4 4 0	2 4	7
K C 2 7 0 1 0 1	5 6	2 2	K F 2 2 0 4 6 0	2 2	1 9
K C 2 7 0 2 7 1	5 4	1 7	K F 2 2 0 4 7 0	2 4	1
K C 2 7 0 2 7 1	5 6	1 7	K F 2 2 0 4 8 0	2 4	1 3
K C 2 7 0 2 9 2	5 4	1 6	K F 2 2 0 7 5 0	2 4	9
K C 2 7 0 2 9 2	5 6	1 6	K F 2 3 0 2 3 0	3 2	1 2
K C 2 7 0 3 6 0	2 6	8	K F 2 3 0 2 3 0	3 4	1 2
K C 2 7 0 9 7 0	2 6	2 2	K F 2 3 0 2 4 0	3 2	1 3
K C 2 7 0 9 8 0	2 6	1 9	K F 2 3 0 2 4 0	3 4	1 3
K C 2 7 1 0 0 1	2 6	1 2	K F 2 3 0 2 5 0	3 2	1 4
K C 2 7 1 0 2 1	2 6	1 1	K F 2 3 0 2 5 0	3 4	1 4
K C 2 7 1 0 3 1	2 6	1 0	K F 2 3 0 4 2 0	2 2	3 0
K C 2 7 1 0 4 1	2 6	9	K F 2 3 0 5 0 0	2 8	1 3
K C 2 7 1 0 7 0	2 6	2 9	K F 2 3 0 5 0 0	3 0	1 3
K C 2 7 1 1 2 0	2 6	2 8	K F 2 3 0 5 8 0	5 4	1 9
K C 2 7 1 1 3 0	2 6	3 0	K F 2 3 0 5 8 0	5 6	1 9
K C 2 7 1 1 4 0	5 8	7	K F 2 3 0 6 3 0	3 6	1 4
K C 2 7 1 1 5 1	5 8	1 1	K F 2 3 0 6 3 0	3 8	1 4
K C 2 7 1 1 6 2	5 8	1 5	K F 2 3 0 6 4 0	2 6	3 1
K C 2 7 1 4 3 0	5 8	1 7	K F 2 3 0 6 4 0	3 6	1 6
K C 2 7 1 4 4 0	5 8	1	K F 2 3 0 6 4 0	3 8	1 6
K C 2 7 1 9 4 0	2 6	7	K F 2 3 0 6 5 0	3 6	1 5
K C 2 7 1 9 5 0	2 6	6	K F 2 3 0 6 5 0	3 8	1 5
K C 2 7 1 9 6 0	2 6	3	K F 2 3 0 6 6 1	3 6	1 9
K C 3 1 2 8 9 0	6 8	7	K F 2 3 0 6 6 1	3 8	1 9
K C 3 2 0 5 9 0	6 8	5	K F 2 3 0 6 7 0	3 6	2 0
K C 3 3 0 1 7 0	6 0	1 0	K F 2 3 0 6 7 0	3 8	2 0
K C 3 3 0 1 7 0	6 2	1 0	K F 2 3 0 9 1 0	3 2	1 0
K C 3 3 0 1 8 0	5 8	6	K F 2 3 0 9 1 0	3 4	1 0
K C 3 3 0 2 8 0	6 0	1 1	K F 2 3 0 9 3 0	3 2	1 1
K C 3 3 0 2 8 0	6 2	1 1	K F 2 3 0 9 3 0	3 4	1 1
K C 3 3 0 4 1 0	3 2	2 5	K F 2 4 0 9 0 0	9 8	5
K C 3 3 0 4 1 0	3 4	2 5	K F 2 5 0 9 0 0	2 4	2 1
K C 3 3 0 4 1 0	3 6	1 8	K F 3 2 0 5 2 0	8 6	7
K C 3 3 0 4 1 0	3 8	1 8	K F 3 2 0 5 2 0	9 2	1 4
K C 3 3 0 4 1 0	5 8	2	K F 3 3 0 3 8 1	3 2	2 7
K C 3 3 0 5 1 0	5 8	3	K F 3 3 0 3 8 1	3 4	2 7

I N D E X

L I S T No.	PAGE No.	ITEM	L I S T No.	PAGE No.	ITEM
K F 3 3 0 3 8 1	3 6	1 7	K K 1 4 0 2 0 1	1 4	7
K F 3 3 0 3 8 1	3 8	1 7	K K 1 4 0 2 0 1	1 6	7
K F 5 3 0 1 1 1	9 6	4	K K 1 4 0 2 0 1	1 8	7
K F 5 3 0 1 2 0	9 6	4	K K 1 4 0 2 1 0	1 2	5
K F 5 3 0 1 5 1	9 6	6	K K 1 4 0 2 1 0	1 4	5
K F 5 3 0 1 6 0	9 6	1	K K 1 4 0 2 1 0	1 6	5
K F 5 3 0 1 7 1	9 6	2	K K 1 4 0 2 1 0	1 8	5
K F 7 1 0 1 0 0	9 8	1	K K 1 4 0 2 2 0	1 4	4
K F 7 1 0 2 8 0	9 8	6	K K 1 4 0 2 2 0	1 6	4
K F 7 1 0 3 0 0	9 8	1	K K 1 4 0 2 2 0	1 8	4
K G 7 1 0 1 6 1	9 8	2	K K 1 4 0 2 8 1	1 2	6
K K 1 4 0 0 0 0	4	1 4	K K 1 4 0 2 8 1	1 4	6
K K 1 4 0 0 0 0	6	1 4	K K 1 4 0 2 8 1	1 6	6
K K 1 4 0 0 0 0	8	1 4	K K 1 4 0 2 8 1	1 8	6
K K 1 4 0 0 0 0	1 0	1 4	K K 1 4 0 2 9 1	1 2	9
K K 1 4 0 0 1 0	2 0	2	K K 1 4 0 2 9 1	1 4	9
K K 1 4 0 0 2 0	4	1 9	K K 1 4 0 2 9 1	1 6	9
K K 1 4 0 0 2 0	6	1 6	K K 1 4 0 2 9 1	1 8	9
K K 1 4 0 0 2 0	8	1 6	K K 1 4 0 3 2 0	2 0	9
K K 1 4 0 0 2 0	1 0	1 6	K K 1 4 0 3 3 0	2 0	1 0
K K 1 4 0 0 5 0	1 2	2	K K 1 4 0 3 4 0	2 0	1 2
K K 1 4 0 0 5 0	1 4	2	K K 1 4 0 3 5 0	1 2	1 0
K K 1 4 0 0 5 0	1 6	2	K K 1 4 0 3 5 0	1 4	1 0
K K 1 4 0 0 5 0	1 8	2	K K 1 4 0 3 5 0	1 6	1 0
K K 1 4 0 0 6 1	4	1 5	K K 1 4 0 3 5 0	1 8	1 0
K K 1 4 0 0 6 1	6	1 5	K K 1 4 0 3 7 0	1 2	2 1
K K 1 4 0 0 6 1	8	1 5	K K 1 4 0 3 7 0	1 4	2 1
K K 1 4 0 0 6 1	1 0	1 5	K K 1 4 0 3 7 0	1 6	2 1
K K 1 4 0 0 7 0	2 0	1	K K 1 4 0 3 7 0	1 8	2 0
K K 1 4 0 0 8 0	2 0	1 3	K K 4 6 0 0 0 0	7 2	1 9
K K 1 4 0 1 1 1	1 2	3	K K 4 6 0 0 1 0	7 2	1 6
K K 1 4 0 1 1 1	1 4	3	K K 4 6 0 0 2 0	7 2	2 0
K K 1 4 0 1 1 1	1 6	3	K K 4 6 0 0 3 1	7 2	1 8
K K 1 4 0 1 1 1	1 8	3	K K 4 6 0 0 4 0	7 2	1 4
K K 1 4 0 1 4 1	2 0	3	K K 4 6 0 0 5 0	7 2	9
K K 1 4 0 1 5 1	2 0	5	K K 4 6 0 0 6 1	7 2	1 1
K K 1 4 0 1 6 0	4	1 8	K K 4 6 0 0 7 0	7 2	1 2
K K 1 4 0 1 6 0	6	1 7	K K 4 6 0 0 8 0	7 2	1 5
K K 1 4 0 1 6 0	8	1 7	K K 4 6 0 0 9 0	7 2	1 3
K K 1 4 0 1 6 0	1 0	1 7	K K 4 6 0 1 2 0	7 2	2 1
K K 1 4 0 1 7 0	4	5	K K 4 6 0 1 3 0	7 2	8
K K 1 4 0 1 7 0	6	5	K K 4 6 0 1 4 0	7 2	2 6
K K 1 4 0 1 7 0	8	5	K K 4 8 0 0 4 0	8 2	7
K K 1 4 0 1 7 0	1 0	5	K K 4 8 0 0 5 0	8 2	3
K K 1 4 0 2 0 1	1 2	7	K K 4 8 0 0 7 0	8 2	8

From the library of: Diamond Needle Corp

I N D E X

L I S T No.	PAGE No.	ITEM	L I S T No.	PAGE No.	ITEM
K K 4 8 0 1 0 0	7 4	6	K L 2 7 0 0 6 0	5 6	4
K K 4 8 0 1 0 0	7 6	6	K L 2 7 0 0 7 0	5 4	1 0
K K 4 8 0 1 0 0	7 8	6	K L 2 7 0 0 7 0	5 6	1 0
K K 4 8 0 1 0 0	8 0	6	K L 2 7 0 0 8 1	5 2	2
K K 4 8 0 1 2 0	8 2	1	K L 2 7 0 0 9 1	5 2	4
K K 4 8 0 1 4 0	8 2	6	K L 2 7 0 1 0 1	5 2	8
K K 4 8 0 1 4 0	8 4	8	K L 2 7 0 1 1 0	5 2	3
K K 4 8 0 1 6 1	8 2	4	K L 2 7 0 1 2 0	5 2	9
K L 2 1 0 1 1 3	2 4	6	K L 2 7 0 1 3 0	5 2	1 6
K L 2 1 0 1 4 0	2 2	1 7	K L 2 7 0 2 6 0	5 2	1 0
K L 2 2 0 0 0 0	2 2	1 6	K L 2 7 0 3 9 0	2 6	3 5
K L 2 2 0 0 1 0	2 2	2 4	K L 2 7 0 4 0 0	5 2	1 3
K L 2 2 0 0 2 0	2 2	2 9	K L 2 7 0 4 1 0	5 2	1 7
K L 2 2 0 0 3 0	2 2	1 5	K L 2 7 0 4 2 0	5 2	1 5
K L 2 2 0 0 4 0	2 2	6	K L 2 7 0 4 3 0	5 2	1 2
K L 2 2 0 0 5 0	2 2	2 1	K L 2 7 0 4 4 0	5 2	1 4
K L 2 2 0 0 6 0	2 4	2	K L 2 7 0 4 5 0	5 2	5
K L 2 2 0 0 7 0	2 4	1 2	K L 2 7 0 5 2 0	5 4	9
K L 2 2 0 0 8 0	2 2	1 2	K L 2 7 0 5 2 0	5 6	9
K L 2 2 0 0 9 0	2 2	4	K L 3 2 0 0 0 0	2 2	3 5
K L 2 2 0 1 0 0	2 2	1	K L 3 2 0 0 2 0	2 2	3 7
K L 2 2 0 1 2 0	2 4	2 0	K N 2 7 0 9 5 2	2 6	2 0
K L 2 2 0 1 3 0	2 2	1 4	K N 2 7 0 9 6 1	2 6	1 4
K L 2 2 0 1 4 0	2 2	2 0	K N 2 7 1 7 1 2	5 8	2 2
K L 2 2 0 1 4 0	2 4	3	K N 2 7 2 3 5 0	5 8	8
K L 2 2 0 1 5 0	2 2	8	K N 2 7 2 4 0 0	2 6	4
K L 2 3 0 2 8 0	3 6	1 3	K N 2 7 2 4 0 0	5 2	6
K L 2 3 0 2 8 0	3 8	1 3	K N 2 7 2 4 0 0	5 4	1 1
K L 2 5 0 0 4 0	2 2	7	K N 2 7 2 4 0 0	5 6	1 1
K L 2 5 0 0 5 1	2 2	2 6	K N 2 7 2 4 0 0	6 4	5
K L 2 5 0 0 5 1	9 8	2 8	K N 2 7 2 4 0 0	6 6	5
K L 2 5 0 0 7 0	2 4	5	K N 3 1 0 0 1 0	7 0	2
K L 2 7 0 0 0 0	5 4	1	K N 3 1 5 1 1 0	7 0	9
K L 2 7 0 0 0 0	5 6	1	K N 4 5 0 3 0 0	8 4	1 3
K L 2 7 0 0 1 0	5 4	6	K N 4 5 0 3 0 0	8 8	2 6
K L 2 7 0 0 1 0	5 6	6	K N 4 5 0 3 1 1	8 8	2 1
K L 2 7 0 0 2 0	5 4	5	K N 4 8 0 0 6 1	8 4	9
K L 2 7 0 0 2 0	5 6	5	K N 4 8 0 0 6 1	8 8	4
K L 2 7 0 0 3 0	5 4	7	K N 4 8 0 0 6 1	9 0	4
K L 2 7 0 0 3 0	5 6	7	K N 4 8 3 4 5 0	8 8	2
K L 2 7 0 0 4 0	5 4	2	K N 4 8 3 4 5 0	9 0	2
K L 2 7 0 0 4 0	5 6	2	K N 5 1 1 0 2 0	6 8	9
K L 2 7 0 0 5 0	5 4	3	K N 5 4 0 0 7 0	1 0 2	6
K L 2 7 0 0 5 0	5 6	3	K N 5 4 0 5 0 0	1 0 2	2
K L 2 7 0 0 6 0	5 4	4	K N 5 4 0 5 1 0	1 0 0	8

From the library of: Diamond Needle Corp

I N D E X

L I S T No.	PAGE No.	ITEM	L I S T No.	PAGE No.	ITEM
KN 5 4 0 5 1 0	1 0 2	4	K R 3 3 0 0 0 0	6 0	1 3
KN 5 4 0 5 2 0	1 0 2	3	K R 3 3 0 0 0 0	6 2	1 3
K P 3 2 1 1 4 0	6 8	2	K R 3 3 0 0 1 0	6 4	3
K R 1 4 0 0 0 0	4	8	K R 3 3 0 0 1 0	6 6	3
K R 1 4 0 0 0 0	6	8	K R 3 3 0 0 2 0	9 8	2 7
K R 1 4 0 0 0 0	8	8	K R 3 3 0 0 3 0	6 4	6
K R 1 4 0 0 0 0	1 0	8	K R 3 3 0 0 3 0	6 6	6
K R 1 4 0 0 1 0	4	6	K R 3 3 0 0 4 0	5 0	1 6
K R 1 4 0 0 1 0	6	6	K R 3 3 0 0 6 0	6 4	9
K R 1 4 0 0 1 0	8	6	K R 3 3 0 0 6 0	6 6	9
K R 1 4 0 0 1 0	1 0	6	K R 3 3 0 0 7 0	6 4	8
K R 1 4 0 0 2 0	4	9	K R 3 3 0 0 7 0	6 6	8
K R 1 4 0 0 2 0	6	9	K R 3 3 0 1 0 0	6 4	1 1
K R 1 4 0 0 2 0	8	9	K R 3 3 0 1 0 0	6 6	1 1
K R 1 4 0 0 2 0	1 0	9	K R 3 3 0 1 1 0	6 8	6
K R 1 4 0 0 3 0	4	1 0	K R 3 3 0 1 2 0	6 4	4
K R 1 4 0 0 3 0	6	1 0	K R 3 3 0 1 2 0	6 6	4
K R 1 4 0 0 3 0	8	1 0	K R 3 3 0 1 4 1	6 4	1 0
K R 1 4 0 0 3 0	1 0	1 0	K R 3 3 0 1 4 1	6 6	1 0
K R 1 4 0 0 3 0	2 0	4	K R 3 3 0 1 6 0	9 8	2 1
K R 1 4 0 0 4 0	4	7	K R 3 3 0 1 7 0	9 8	2 6
K R 1 4 0 0 4 0	6	7	K R 3 3 0 1 9 0	6 0	1
K R 1 4 0 0 4 0	8	7	K R 3 3 0 1 9 0	6 2	1
K R 1 4 0 0 4 0	1 0	7	K R 3 3 0 2 0 0	6 0	2
K R 1 4 0 0 5 0	4	1 6	K R 3 3 0 2 0 0	6 2	2
K R 1 4 0 0 5 0	6	1 9	K R 3 3 0 2 1 0	6 0	9
K R 1 4 0 0 5 0	8	1 9	K R 3 3 0 2 1 0	6 2	9
K R 1 4 0 0 5 0	1 0	1 9	K R 3 3 0 2 2 0	6 4	1
K R 1 4 0 0 6 0	1 2	1 1	K R 3 3 0 2 2 0	6 6	1
K R 1 4 0 0 6 0	1 4	1 1	K R 3 3 0 2 4 0	5 0	1 6
K R 1 4 0 0 6 0	1 6	1 1	K R 3 3 0 2 6 0	4 8	3
K R 1 6 0 0 3 0	1 2	4	K R 3 3 0 2 7 0	4 8	2
K R 2 1 0 0 3 0	2 2	2 5	K R 3 3 0 2 8 0	3 2	1 8
K R 3 1 0 0 0 0	7 0	1	K R 3 3 0 2 8 0	3 4	1 8
K R 3 1 0 0 2 0	7 0	8	K R 3 3 0 2 8 0	6 2	2 8
K R 3 1 0 0 7 0	7 0	1 2	K R 4 7 0 0 0 0	8 4	3 7
K R 3 1 0 0 9 0	6 8	1	K R 4 7 0 0 1 0	8 4	3 7
K R 3 1 0 1 0 0	6 8	1 0	K R 4 7 0 0 2 0	8 4	3 7
K R 3 1 0 1 1 0	6 8	1 1	K R 4 7 0 0 3 0	8 4	3 7
K R 3 1 0 1 2 0	6 8	4	K R 4 8 0 0 0 0	8 8	8
K R 3 1 0 1 3 0	6 8	3	K R 4 8 0 0 0 1	8 4	1 8
K R 3 2 0 0 0 1	7 0	1 1	K R 4 8 0 0 0 1	9 0	8
K R 3 2 0 0 1 0	7 0	1 1	K R 4 8 0 0 1 1	8 4	2 1
K R 3 2 0 0 2 0	7 0	1 1	K R 4 8 0 0 1 1	8 8	1 4
K R 3 2 0 0 3 0	7 0	1 1	K R 4 8 0 0 1 1	9 0	1 3

From the library of: Diamond Needle Corp

I N D E X

L I S T No.	PAGE No.	ITEM	L I S T No.	PAGE No.	ITEM
K R 4 8 0 0 2 0	8 6	2	K R 4 8 0 2 5 0	7 8	7
K R 4 8 0 0 2 0	9 2	2	K R 4 8 0 2 5 0	8 0	7
K R 4 8 0 0 3 0	8 4	7	K R 4 8 0 2 6 0	8 4	1
K R 4 8 0 0 3 0	8 8	2 0	K R 4 8 0 2 7 0	7 4	8
K R 4 8 0 0 3 0	9 0	1 5	K R 4 8 0 2 7 0	7 6	8
K R 4 8 0 0 4 0	8 6	1 1	K R 4 8 0 2 7 0	7 8	8
K R 4 8 0 0 4 0	9 2	1 3	K R 4 8 0 2 7 0	8 0	8
K R 4 8 0 0 5 0	8 4	2 0	K R 4 8 0 2 8 0	8 8	3
K R 4 8 0 0 5 0	8 8	6	K R 4 8 0 2 8 0	9 0	3
K R 4 8 0 0 5 0	9 0	6	K R 4 8 0 2 9 0	8 4	6
K R 4 8 0 0 6 0	8 4	1 5	K R 4 8 0 3 3 0	7 4	5
K R 4 8 0 0 6 0	8 8	5	K R 4 8 0 3 3 0	7 6	5
K R 4 8 0 0 6 0	9 0	5	K R 4 8 0 3 3 0	7 8	5
K R 4 8 0 0 7 0	8 8	2 8	K R 4 8 0 3 3 0	8 0	5
K R 4 8 0 0 8 0	8 6	3	K R 4 9 0 0 0 0	8 8	1 1
K R 4 8 0 0 8 0	9 2	4	K R 5 1 0 0 0 0	9 4	8
K R 4 8 0 0 9 0	8 6	1 3	K R 5 1 0 0 1 0	9 4	1 7
K R 4 8 0 0 9 0	9 2	9	K R 5 1 0 0 2 0	9 4	1 6
K R 4 8 0 1 0 0	8 6	1 6	K R 5 1 0 0 3 0	9 4	6
K R 4 8 0 1 0 0	9 2	7	K R 5 1 0 0 5 0	9 4	7
K R 4 8 0 1 1 0	9 2	1 5	K R 5 1 0 0 6 0	9 4	1 4
K R 4 8 0 1 1 1	8 6	8	K R 5 1 0 0 7 0	9 4	5
K R 4 8 0 1 2 1	8 6	1 0	K R 5 1 0 0 8 0	9 4	4
K R 4 8 0 1 2 1	9 2	1 2	K R 5 1 0 0 9 0	9 4	3
K R 4 8 0 1 3 0	7 4	9	K R 5 1 0 1 0 0	9 4	2
K R 4 8 0 1 3 0	7 6	9	K R 5 1 0 1 1 0	9 4	9
K R 4 8 0 1 3 0	7 8	9	K R 5 1 0 1 2 0	9 8	1 0
K R 4 8 0 1 3 0	8 0	9	K R 5 1 0 1 3 0	9 8	8
K R 4 8 0 1 4 0	9 2	1	K S 2 7 0 0 2 0	2 6	1 3
K R 4 8 0 1 5 0	8 6	1	K S 2 7 0 0 3 0	5 8	1 0
K R 4 8 0 1 6 0	8 4	3	K S 2 7 0 0 4 0	2 6	1 5
K R 4 8 0 1 7 0	7 4	1 0	K S 2 7 0 0 6 0	2 6	1 6
K R 4 8 0 1 7 0	7 6	1 0	K T 2 3 0 0 0 0	2 8	1 9
K R 4 8 0 1 7 0	7 8	1 0	K T 2 3 0 0 0 0	3 0	1 9
K R 4 8 0 1 7 0	8 0	1 0	K T 2 3 0 0 1 0	2 8	1 7
K R 4 8 0 1 8 0	8 6	4	K T 2 3 0 0 1 0	3 0	1 7
K R 4 8 0 1 9 0	9 2	5	K T 2 3 0 0 2 0	3 0	4
K R 4 8 0 2 0 0	8 6	5	K T 2 3 0 0 3 0	3 0	1 0
K R 4 8 0 2 1 0	8 8	1	K T 2 3 0 0 3 1	2 8	1 0
K R 4 8 0 2 1 0	9 0	1	K T 2 3 0 0 4 0	2 8	1 6
K R 4 8 0 2 2 0	8 8	1 6	K T 2 3 0 0 4 0	3 0	1 6
K R 4 8 0 2 3 0	8 2	2	K T 2 3 0 0 5 0	3 0	3 6
K R 4 8 0 2 4 0	8 4	2	K T 2 3 0 0 5 1	2 8	3 6
K R 4 8 0 2 5 0	7 4	7	K T 2 3 0 2 9 1	2 8	4
K R 4 8 0 2 5 0	7 6	7	K U 2 4 1 4 0 0	4 6	1 4

From the library of: Diamond Needle Corp

